

BENEKE®

340 TM

Economy Solid Plastic Seats



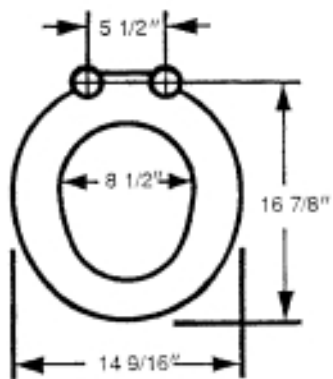
340 TM Regular (Closed front seat with cover)

Seat Shall be Beneke No. **340 TM Regular**

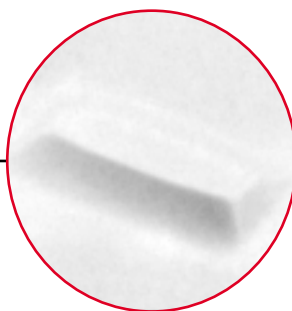
- Economical, light-weight polypropylene seat.
- Matching Top Mount Hinges.
- Permanent (molded into the seat) bumpers.
- Available in white or bone.

OPTION

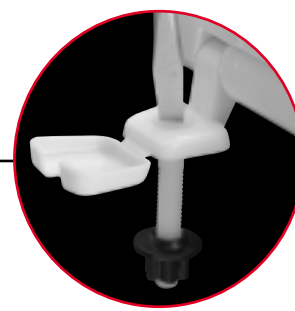
Specify:
 340 TM BULK
 10 per master



340 TM Regular



The exclusive Perma-Bumper® design features integrally molded bumpers that are permanent, sanitary and easy to clean.



Top Mount Hinges provide fast, easy installation. Connected snap-on cap conceals bolt head when closed.

Original BENEKE® Features