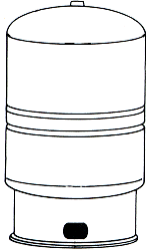


JOB:	REPRESENTATIVE:	
UNIT TAG:	SUBMITTED BY:	DATE:
ENGINEER:	APPROVED BY:	DATE:
CONTRACTOR:		



Series "PTA" (ASME)

Residential/Commercial Potable Water Diaphragm Expansion Tanks For Domestic Potable Water Systems

DESCRIPTION

Series "PTA" expansion tanks are ASME rated, pre-charged diaphragm-type vessels. The Series "PTA" tank is designed to absorb the forces of expanding water and protect the domestic water system from pressure build up. The FDA approved heavy duty butyl diaphragm and polypropylene liner (sizes PTA-5 through PTA-210V) or butyl bladder (sizes PTA-451 through PTA-457) completely isolate the water from the shell.

FACTORY PRE-CHARGED PRESSURE: 55PSI

CONSTRUCTION

Shell: Carbon Steel
 System Connection: PTA-5 through PTA-210V: Stainless Steel
 PTA-451 through PTA-457: Bronze
 PTA-5 through PTA-210V: Butyl Diaphragm;
 Polypropylene Liner
 PTA-451 through PTA-457: Butyl Bladder

PERFORMANCE LIMITATIONS

PTA-5 through PTA-210V
 200°F (93°C), 150 PSI (1035 kPa)
 PTA-451 through PTA-457
 240°F (115°C) 125 PSI (862 kPa)

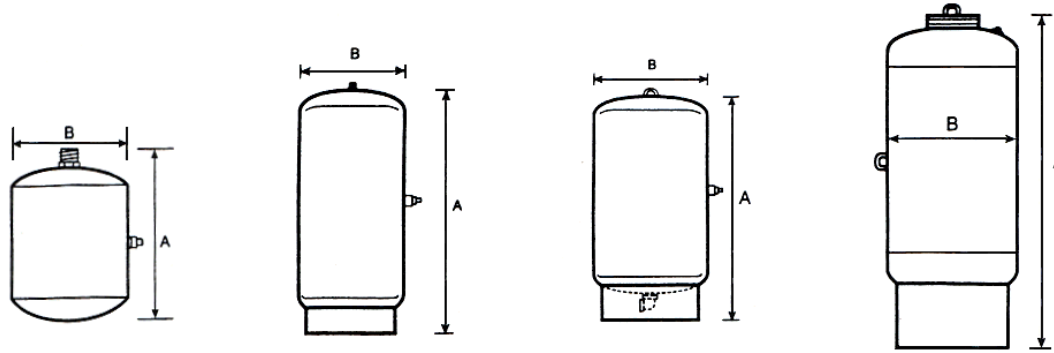
SCHEDULE

PART NUMBER	MODEL NUMBER	VOLUME GALLONS (LITERS)		TAGGING INFORMATION	QUANTITY
		TANK	ACCEPTANCE		
1BN051	PTA-5	2.1 (8)	0.9 (3)		
1BN052	PTA-12	6.4 (24)	3.2 (12)		
1BN053	PTA-20V	8 (30)	3.2 (12)		
1BN054	PTA-30V	14 (53)	9 (34)		
1BN055	PTA-42V	17.5 (66)	11.4 (43)		
1BN056	PTA-60V	25 (95)	11.3 (43)		
1BN057	PTA-80V	53 (200)	34.5 (130)		
1BN058	PTA-180V	77 (292)	33.9 (128)		
1BN059	PTA-210V	90 (341)	34.3 (129)		
1BN060	PTA-451	158 (600)	102.7 (389)		
1BN061	PTA-452	211 (800)	137.2 (519)		
1BN062	PTA-453	264 (1000)	171.6 (650)		
1BN063	PTA-454	317 (1200)	206.1 (780)		
1BN064	PTA-455	370 (1400)	240.5 (910)		
1BN065	PTA-456	422 (1600)	274.3 (1038)		
1BN066	PTA-457	528 (2000)	343.2 (1300)		

DIAPHRAGM EXPANSION TANKS - PRE-PRESSURIZED (ASME CONSTRUCTION)

A-318A

DIMENSIONS AND WEIGHTS



PTA-5 & PTA-12

PTA-20V through PTA-42V

PTA-60V through PTA-210V

PTA-451 through PTA-457

DIMENSIONS IN INCHES (MM)

MODEL NUMBER	A HEIGHT	B DIAMETER	SYSTEM CONNECTION	CHARGING VALVE	Shipping Wt Lbs. (Kg)
PTA-5	10-3/8 (264)	10 (254)	3/4" NPTM	.302"-32 NC	21 (9.5)
PTA-12	15-5/8 (397)	12 (305)	3/4" NPTM	.302"-32 NC	26 (12)
PTA-20V	19-1/2 (495)	12 (305)	3/4" NPTM	.302"-32 NC	41 (19)
PTA-30V	19-1/8 (486)	16-1/4 (413)	3/4" NPTM	.302"-32 NC	84 (38)
PTA-42V	24-1/4 (616)	16-1/4 (413)	3/4" NPTM	.302"-32 NC	90 (41)
PTA-60V	34 (864)	16-1/4 (413)	3/4" NPTM	.302"-32 NC	96 (44)
PTA-80V	40-1/2 (1029)	24 (610)	1-1/4" NPTF	.302"-32 NC	229 (104)
PTA-180V	52-5/8 (1337)	24 (610)	1-1/4" NPTF	.302"-32 NC	288 (131)
PTA-210V	60 (1524)	24 (610)	1-1/4" NPTF	.302"-32 NC	318 (144)
PTA-451	73-1/4 (1861)	30 (762)	2" NPTF	.302"-32 NC	508 (230)
PTA-452	91 (2317)	30 (762)	2" NPTF	.302"-32 NC	760 (345)
PTA-453	85-5/8 (2175)	36 (914)	3" NPTF	.302"-32 NC	810 (368)
PTA-454	98 (2489)	36 (914)	3" NPTF	.302"-32 NC	914 (415)
PTA-455	110-3/8 (2804)	36 (914)	3" NPTF	.302"-32 NC	1018 (462)
PTA-456	81-7/8 (2080)	48 (1219)	3" NPTF	.302"-32 NC	1655 (750)
PTA-457	97-1/4 (2470)	48 (1219)	3" NPTF	.302"-32 NC	1925 (873)

Dimensions are subject to change. Not to be used for construction purposes unless certified.

TYPICAL SPECIFICATIONS

Furnish and install as shown on plans a _____ gallon (_____ liter), _____" (_____mm) diameter x _____" (_____mm) high pre-charged vertical steel expansion tank with integral FDA approved, heavy duty butyl blend diaphragm and _____ lined dome, for domestic potable water. The tank shall have a _____" NPT system connection, and a .302"-32 charging valve connection (standard tire valve) to facilitate on-site charging of the tank to meet system requirements.

The tank must be constructed in accordance with Section VIII of the ASME Boiler and Pressure Vessel Code, with all welds conforming to ASME Section IX. The tank must be designed for a maximum working pressure of _____ PSI (_____ kPa) and maximum working temperature of _____°F (_____°C).

Each tank shall be ITT Bell & Gossett Model No. _____



Bell & Gossett

Bell & Gossett
8200 N. Austin Avenue, Morton Grove, IL 60053
Phone (847)966-3700
Facsimile (847)966-9052
www.bellgossett.com



ISO 9001
Certified