

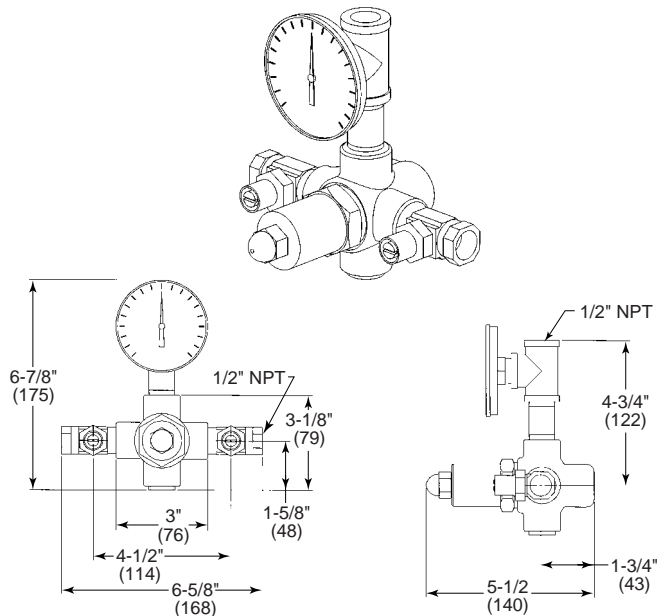
Emergency Fixture Thermostatic Mixing Valves

S19-2000

- Meets ANSI Z358.1-1998
- Reliable liquid-filled thermostat
- Checkstops on inlets
- Adjustable set point within temperature range
- Accurate temperature control to within $\pm 3^{\circ}\text{F}$
- Built-in cold water bypass, assuring cold flow
- Positive shut-off of hot supply when cold supply is lost
- Easy installation and serviceability
- Dirt and lime resistant
- Dial thermometer
- Factory assembled and tested
- Universal mounting capability

Specification

Emergency fixture water mixing valve shall consist of liquid-filled thermal motor and a piston control mechanism with positive shut off of hot water when cold water supply is lost to prevent scalding. In addition, the valve shall allow cold flow in the event of loss or interruption of the hot water supply or thermostat failure. The valve shall control outlet temperature and will be suitable for eyewash or eye/face wash applications. Temperature adjustment will be vandal resistant.



Dimensions in parentheses are in millimeters.

Model	
Model No.	Description
<input type="checkbox"/> S19-2000	EFX8—Thermostatic Mixing Valve

Optional Selections	
Finish	
<input type="checkbox"/> C	Chrome Plated
Piped Assembly	
<input type="checkbox"/> P	Piped Assembly w/ Inlet and Outlet Shutoff
Cabinets	
<input type="checkbox"/> SS	Surface Mount Stainless Steel
<input type="checkbox"/> RS	Recessed Stainless Steel
<input type="checkbox"/> SE	Surface Mount White Enamel
<input type="checkbox"/> RE	Recessed White Enamel
<input type="checkbox"/> W	Plexi-glass Window in Door

Valve Specifications	
Maximum Operating Pressure	
125 PSI (860 kPa)	
Maximum Inlet Temperature	
180° F (82° C)	
Recommended Inlet Temperature	
120° F (49° C) - 140° F (60° C)	
Temperature Range	Set Point
Std. 65° F (18° C) to 95° F (35° C)	85° F (29° C)

Flow Capacities – GPM								
Model	Min. Flow	SYSTEM PRESSURE DROP – PSI						
		5	10	15	20	30	45	60
S19-2000	1.5	3.4	4.5	5.6	6.5	7.8	9.4	11.6
Cold Bypass Only		2.6	3.2	4.0	4.6	5.6	6.8	7.7

Flow Capacities – L/Min								
Model	Min. Flow	SYSTEM PRESSURE DROP – BAR						
		.5	1.0	1.5	2.0	2.5	3.0	4.0
S19-2000	5.5	15.0	20.0	26.0	30.0	34.0	37.0	42.0
Cold Bypass Only		10.5	14.5	18.0	21.0	23.5	28.5	29.5

Engineer's Approval _____

Document No. 5890

This information is subject to change without formal notice.
0901BLRP (3 Pages Total)



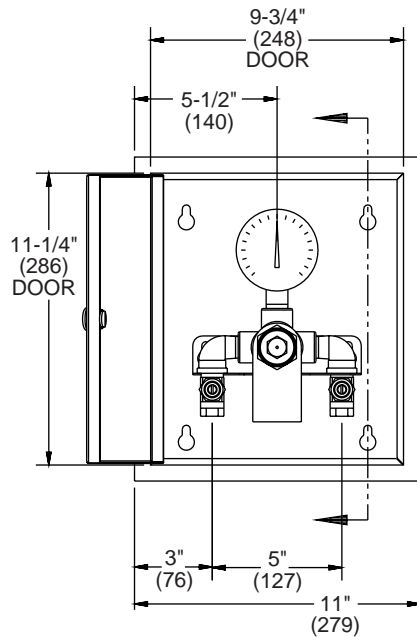
P.O. Box 309, Menomonee Falls, WI 53052-0309
Phone 1-800-BRADLEY FAX 262-251-5817
Web Site: <http://www.bradleycorp.com>
Technical Information Fax Service: 1-800-BRADFAX

Emergency Fixture Thermostatic Mixing Valves S19-2000

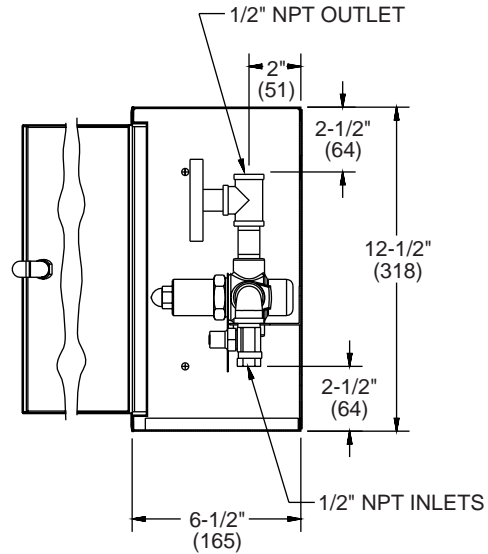
PLUMBING FIXTURES
TECHNICAL DATA

Cabinet Features

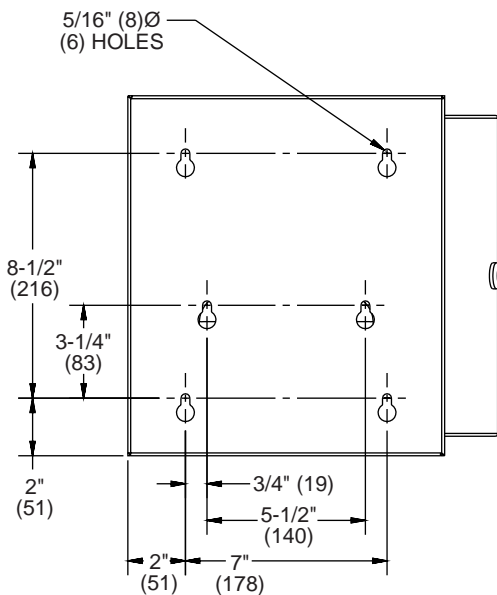
- 18 gauge body & door
- Left hand hinge
- Cylinder Lock
- Inlet/outlet knock out holes for mounting flexibility
- Stainless steel or baked white enamel finishes
- Surface mounted or recessed style with flange



FRONT VIEW – SURFACE MOUNTED



SIDE VIEW – SURFACE MOUNTED



BACK VIEW – SURFACE MOUNTED

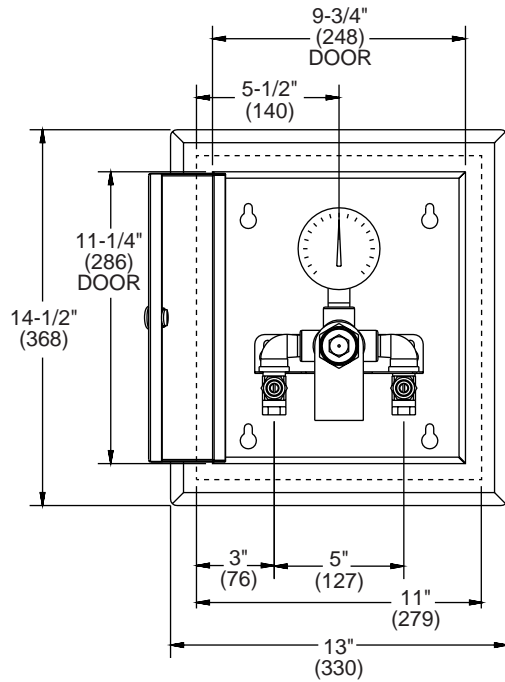
Document No. 5890

This information is subject to change without formal notice.
0901BLRP (3 Pages Total)

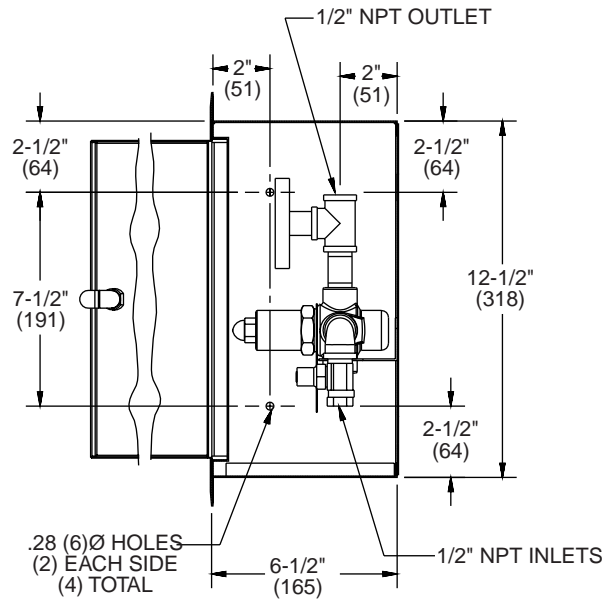
Bradley 

P.O. Box 309, Menomonee Falls, WI 53052-0309
Phone 1-800-BRADLEY FAX 262-251-5817
Web Site: <http://www.bradleycorp.com>
Technical Information Fax Service: 1-800-BRADFAX

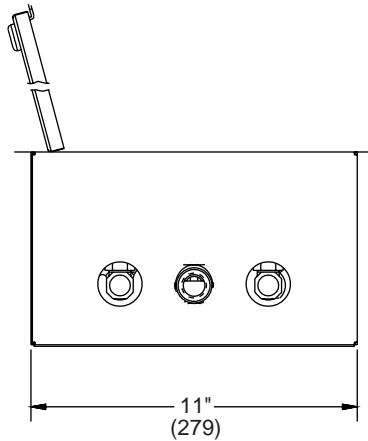
Emergency Fixture Thermostatic Mixing Valves S19-2000



FRONT VIEW – RECESSED



BACK VIEW – RECESSED



TOP VIEW – RECESSED

Document No. 5890

This information is subject to change without formal notice.
0901BLRP (3 Pages Total)



P.O. Box 309, Menomonee Falls, WI 53052-0309
Phone 1-800-BRADLEY FAX 262-251-5817
Web Site: <http://www.bradleycorp.com>
Technical Information Fax Service: 1-800-BRADFAX