

# Faucet-Mount Eye Wash Model S19-200B

- Laboratory Application
- Complies with American National Standard Z358.1-1998
- Universal Mount for Both Standard and Gooseneck Faucets
- Includes Universal Identification Sign and Inspection Tag
- Full One-Year Warranty

## Specifications

Low-cost eye wash mounts easily to both standard and gooseneck faucets. For eye wash use, leave cold water supply on at all times. To operate unit pull actuator pin toward user. For faucet use, water flow is activated by the use of the diverter pin. Push the pin to the opposite side for water flow. **NOTE: To eliminate the risk of scalding eyes during use, it is recommended that hot water supply to the faucet be disconnected or that tempered water be provided.**

## Construction

Pipe and fittings are chrome-plated brass. High-visible yellow dust caps are flexible plastic and pop-off eye wash sprayheads when unit is activated.

### Standard Sprayhead Assembly

Sprayhead assembly is chrome-plated brass with twin sprayheads and pop-off dust caps. Integral flow control assures safe, steady water flow under varying water supply conditions from 30-90 PSI.

### Adapter

Chrome-plated brass adapter replaces faucet aerator; provides for eye wash mounting to faucet. Adapter fits standard or gooseneck faucets with 5/64" x 27 thread (female). 15/16" x 27 thread (male) and 13/16" x 27 thread (male) connectors are also included. **NOTE: Other adapter options available at additional cost through Bradley Fixtures Corp. See model listing below or call Bradley for details.**

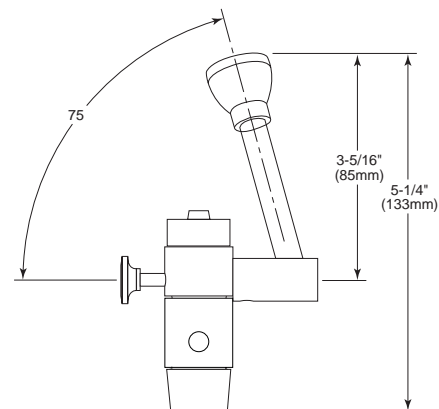
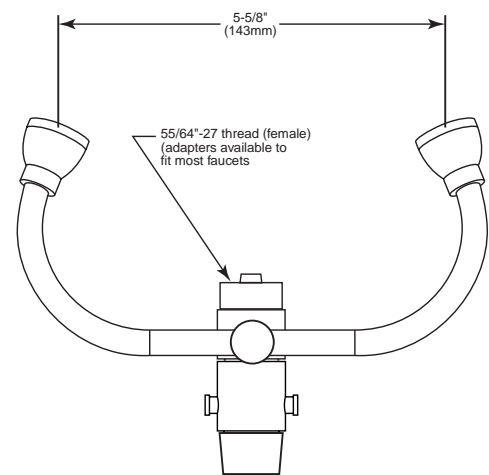
### Diverter

Chrome-plated brass diverter attaches to adapter. Provides for one-step activation which complies with ANSI Standard Z358.1-1998 when installed and used properly.

## Standard Equipment

### Faucet-Mount Eye Wash

Chrome-plated brass eyewash unit with twin sprayheads, high-visible yellow plastic pop-off dust caps, faucet adapter, and diverter.



## MODEL

Model No.	Description
<input type="checkbox"/> S19-200B	Faucet-Mount Eye Wash
<input type="checkbox"/> 153-401	Female, 3/4" (Garden Hose) – Brass
<input type="checkbox"/> 153-401A	Female, 3/4" (Garden Hose) – Chrome
<input type="checkbox"/> 153-395	Female, 13/16" x 24 – Brass
<input type="checkbox"/> 153-395A	Female, 13/16" x 24 – Chrome
<input type="checkbox"/> 153-396	Male, 3/8" IPS – Brass
<input type="checkbox"/> 153-396A	Male, 3/8" IPS – Chrome
<input type="checkbox"/> 153-422	Male, 13/16" x 28 – Brass
<input type="checkbox"/> 153-422A	Male, 13/16" x 28 – Chrome
<input type="checkbox"/> 153-424	Female, 7/8" x 27 – Brass
<input type="checkbox"/> 153-424A	Female, 7/8" x 27 – Chrome

Document No. 4146

This information is subject to change without formal notice.  
© 2003 Bradley Corporation  
8-7-2003 (1 Page Total)

**Bradley**

P.O. Box 309, Menomonee Falls, WI 53052-0309  
Phone 1-800-BRADLEY FAX 262-251-5817  
Web Site: <http://www.bradleycorp.com>  
Technical Information Fax Service: 1-800-BRADFAX