

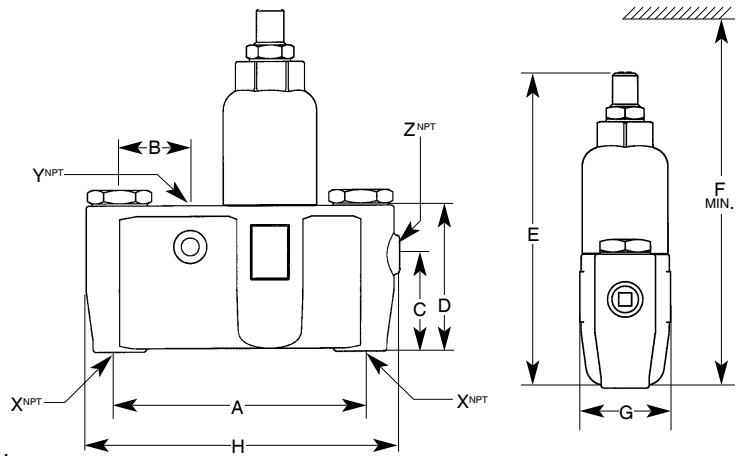
Emergency Fixture Thermostatic Mixing Valves

S19-2100 & S19-2200

- Meets ANSI Z358.1-2004
- UPC and CSA Certified
- Reliable liquid-filled thermostat
- Integral strainer checkstops on inlets
- Adjustable set point within temperature range
- Accurate temperature control to within $\pm 3^{\circ}\text{F}$
- Built-in cold water bypass, assuring cold flow
- Positive shut-off of hot supply when cold supply is lost
- Easy installation and serviceability
- Dirt and lime resistant
- Dial thermometer
- Factory assembled and tested
- Universal mounting capability

Specification

Emergency fixture water mixing valve shall consist of liquid-filled thermal motor and a piston control mechanism with positive shut off of hot water when cold water supply is lost to prevent scalding. In addition, the valve shall allow cold flow in the event of loss or interruption of the hot water supply or thermostat failure. The valve shall control outlet temperature over a wide flow range and will be suitable for drench shower and/or eyewash applications. Temperature adjustment will be vandal resistant.



Dimensions – Inches

Model	A	B	C	D	E	F	G	H	X ^{NPT}	Y ^{NPT}	Z ^{NPT}
S19-2100	7"	2"	3 $\frac{1}{4}$ "	4 $\frac{3}{4}$ "	8"	14"	3 $\frac{1}{8}$ "	9 $\frac{1}{4}$ "	3 $\frac{3}{4}$ "	1"	3 $\frac{1}{4}$ "
S19-2200	8 $\frac{3}{4}$ "	2 $\frac{1}{2}$ "	3 $\frac{1}{2}$ "	5 $\frac{1}{4}$ "	12 $\frac{1}{4}$ "	19"	3 $\frac{5}{8}$ "	11 $\frac{3}{8}$ "	1"	1 $\frac{1}{4}$ "	3 $\frac{1}{4}$ "

Dimensions – Millimeters

Model	A	B	C	D	E	F	G	H	X ^{NPT}	Y ^{NPT}	Z ^{NPT}
S19-2100	178	51	84	119	203	356	79	234	19	25	19
S19-2200	224	64	89	135	312	483	91	290	25	32	19

Flow Capacities – GPM

Model	Min. Flow	PRESSURE DROP – PSI						
		5	10	15	20	30	45	60
S19-2100	2.0	14.0	20.0	24.5	29.0	36.0	44.0	50.0
Cold Bypass Only		8.0	11.5	14.0	16.5	20.0	24.5	28.0
S19-2200	2.0	23.0	36.0	46.0	54.0	67.0	83.0	95.0
Cold Bypass Only		15.0	22.0	29.0	34.0	43.0	52.0	60.0

Flow Capacities – L/Min

Model	Min. Flow	PRESSURE DROP – BAR						
		.5	1.0	1.5	2.0	2.5	3.0	4.0
S19-2100	5.5	63.0	92.0	115.0	135.0	150.0	163.0	186.0
Cold Bypass Only		36.0	52.0	63.0	74.0	83.0	91.0	103.0
S19-2200	7.5	110.0	170.0	215.0	250.0	280.0	310.0	355.0
Cold Bypass Only		69.0	107.0	135.0	160.0	180.0	193.0	222.0

Engineer's Approval _____



P.O. Box 309, Menomonee Falls, WI 53052-0309
Phone 1-800-BRADLEY FAX 262-251-5817
Web Site: <http://www.bradleycorp.com>

Valve Specifications

Maximum Operating Pressure	125 PSI (860 kPa)
Maximum Inlet Temperature	180° F (82° C)
Recommended Inlet Temperature	120° F (49° C) - 140° F (60° C)
Temperature Range	Set Point
Std. 65° F (18° C) to 95° F (35° C)	85° F (29° C)

Model

Model No.	Description
<input type="checkbox"/> S19-2100	EFX25–Thermostatic Mixing Valve
<input type="checkbox"/> S19-2200	EFX60–Thermostatic Mixing Valve

Optional Selections

Finish	<input type="checkbox"/> C Chrome Plated
Piped Assembly	<input type="checkbox"/> P Piped Assembly w/ Inlet and Outlet Shutoff
Cabinets	<input type="checkbox"/> SS Surface Mount Stainless Steel <input type="checkbox"/> RS Recessed Stainless Steel <input type="checkbox"/> SE Surface Mount White Enamel <input type="checkbox"/> RE Recessed White Enamel <input type="checkbox"/> W Plexi-glass Window in Door

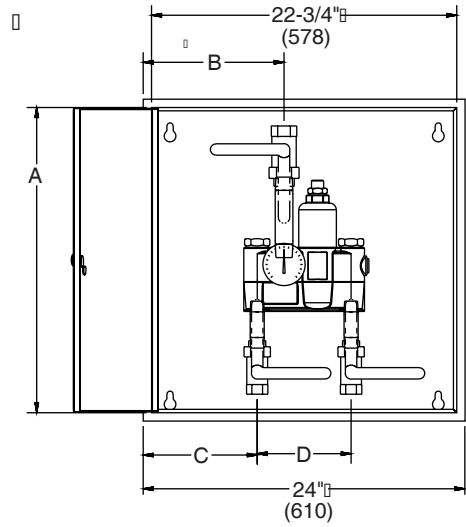
Document No. 5900

This information is subject to change without formal notice.
© 2004 Bradley Corporation
9-27-2004 (3 Pages Total)

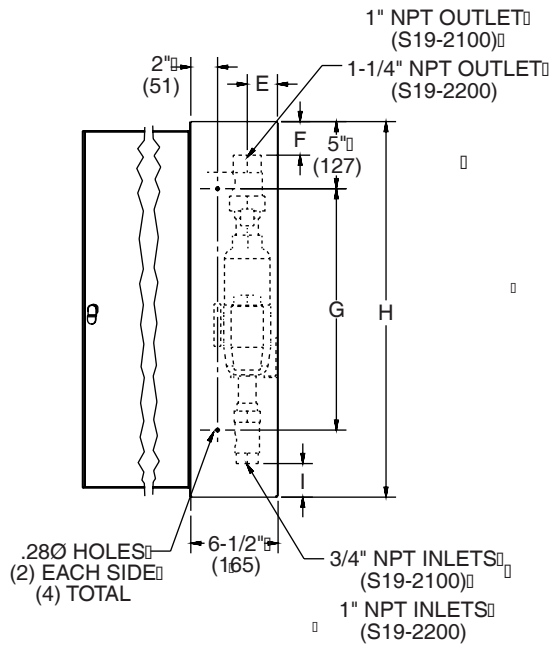
Emergency Fixture Thermostatic Mixing Valves S19-2100 & S19-2200

Cabinet Features

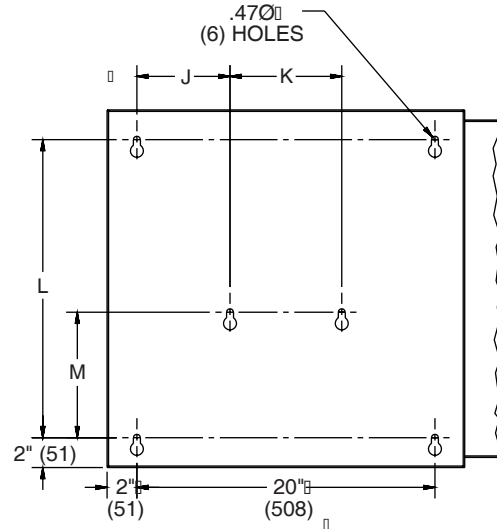
- 18 gauge body & door
- Left hand hinge
- Cylinder Lock
- Inlet/outlet knock out holes for mounting flexibility
- Stainless steel or baked white enamel finishes
- Surface mounted or recessed style



FRONT VIEW – SURFACE MOUNTED



SIDE VIEW – SURFACE MOUNTED



BACK VIEW – SURFACE MOUNTED

MODEL	A	B	C	D	E	F	G	H	I	J	K	L	M
S19-2100	22 ³ / ₄ "	10 ¹ / ₂ "	8 ¹ / ₂ "	7"	2"	2"	14"	24"	2"	6 ¹ / ₄ "	7 ¹ / ₂ "	20"	8 ⁷ / ₁₆ "
S19-2200	26 ³ / ₄ "	10 ³ / ₁₆ "	7 ⁹ / ₁₆ "	8 ³ / ₄ "	2 ¹ / ₄ "	2 ¹ / ₂ "	18"	28"	2 ¹ / ₂ "	5 ¹ / ₈ "	9 ³ / ₄ "	24"	9 ³ / ₁₆ "

Document No. 5900

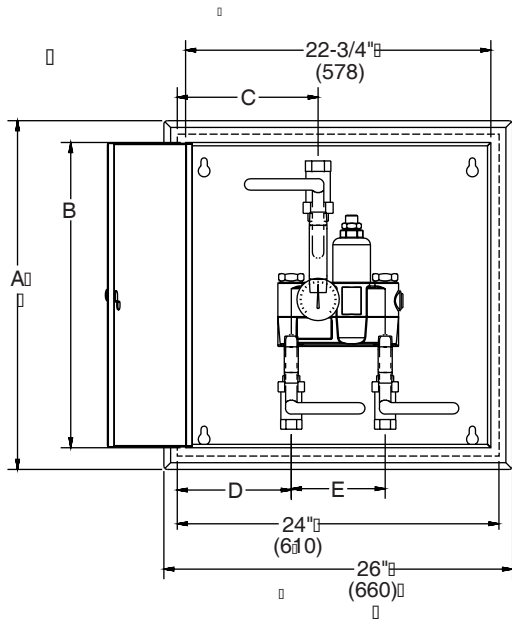
This information is subject to change without formal notice.
9-27-2004 (3 Pages Total)

TMV5900.2

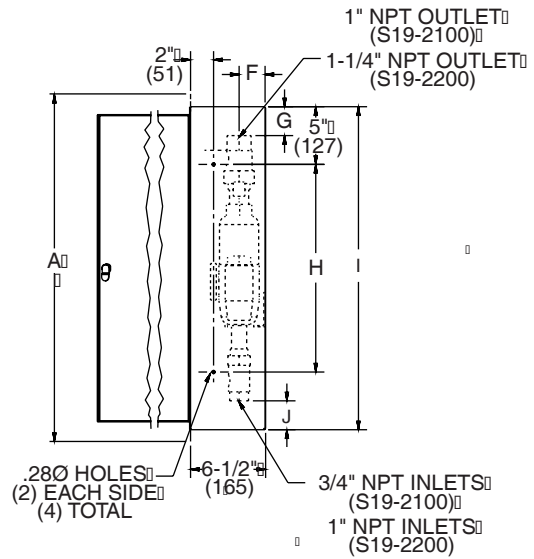


P.O. Box 309, Menomonee Falls, WI 53052-0309
Phone 1-800-BRADLEY FAX 262-251-5817
Web Site: <http://www.bradleycorp.com>

Emergency Fixture Thermostatic Mixing Valves S19-2100 & S19-2200



FRONT VIEW – RECESSED



SIDE VIEW – RECESSED

MODEL	A	B	C	D	E	F	G	H	I	J
S19-2100	26"	22 ³ / ₄ "	10 ¹ / ₂ "	8 ¹ / ₂ "	7"	2"	2"	14"	24"	2"
S19-2200	30"	26 ³ / ₄ "	10 ³ / ₁₆ "	7 ⁵ / ₈ "	8 ³ / ₄ "	2 ¹ / ₄ "	2 ¹ / ₂ "	18"	28"	2 ¹ / ₂ "

