

Swing-Down Eye and Eye/Face Wash

Model S19-270HD (Shown), S19-270HW

Model S19-270JD, S19-270JW

- Complies with ANSI Standard Z358.1-1998
- Deck or Wall Mounting Models w/Locking Mechanism
- Chrome-Plated Brass Pipe and Fittings
- Universal Sign and Inspection Tag Included
- Full, One-Year Warranty

Specifications

Unit design saves space and fits easily into any work environment. Eye and eye/face washes operate quickly by pulling swing arm down 90° over sink. Deck or wall mounted design available, both with locking mechanism. Safe, steady water flow under varying water supply conditions from 30-90 PSI is assured by integral flow control in the shank. (S19-270HD and S19-270HW only)

Construction

Pipe and fittings are chrome-plated brass. Deck or wall mounted models available.

Standard Equipment

Standard Sprayhead Assembly

Chrome-plated brass sprayhead assembly with twin, soft flow eye wash heads and protective pop-off sprayhead covers. The integral flow control assures safe, steady flow under varying water supply conditions from 30-90 PSI. (S19-270HD and S19-270HW)

Eye/Face Wash Sprayhead Assembly

Twin perforated disc eye/face wash heads with protective pop-off sprayhead covers. Gentle spray bathes eyes and face. (S19-270JD and S19-270JW)

Valve

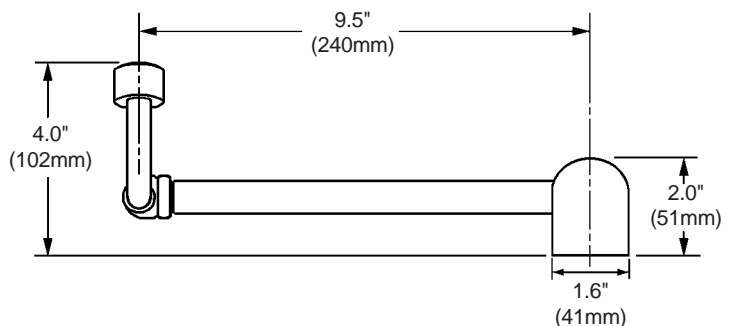
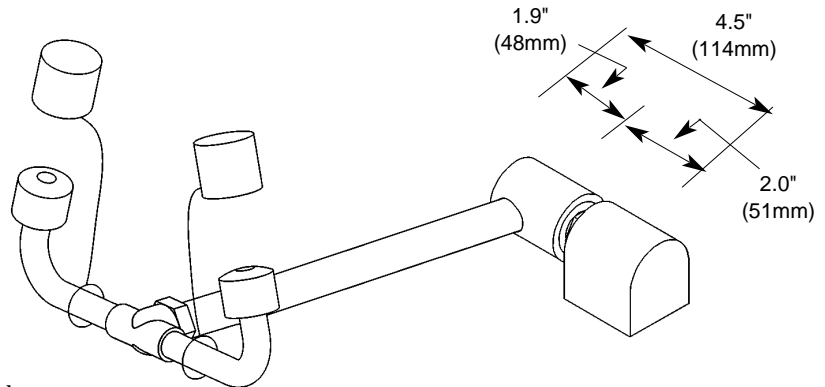
Chrome-plated brass 1/2" IPS stay-open valve. Waterflow is activated by pulling swing arm down 90°. Water will continue to flow until arm is returned to original position.

Pipe and Fittings

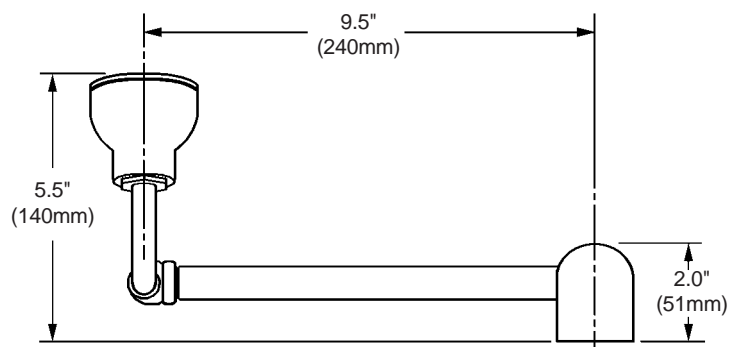
Chrome-plated brass

Water Supply

1/2" IPS



S19-270HD, S19-270-HW



S19-270JD, S19-270JW

MODEL	
Model No.	Description
<input type="checkbox"/> S19-270HD	Swing-Down Eyewash Fixture – Deck Mount
<input type="checkbox"/> S19-270HW	Swing-Down Eyewash Fixture – Wall Mount
<input type="checkbox"/> S19-270JD	Swing-Down Eye/Face Wash Fixture – Deck Mount
<input type="checkbox"/> S19-270JW	Swing-Down Eye/Face Wash Fixture – Wall Mount

Document No. 4472

This information is subject to change without formal notice.
© 2003 Bradley Corporation
8-11-2003 (1 Page Total)

Bradley 

P.O. Box 309, Menomonee Falls, WI 53052-0309
Phone 1-800-BRADLEY FAX 262-251-5817
Web Site: <http://www.bradleycorp.com>
Technical Information Fax Service: 1-800-BRADFAX