

Hand-Held Hose Spray, Counter Top-Mounted w/Dual Sprayhead

Model S19-460EFW & S19-465 EFW

- Complies with American National Standard Z358.1-1998
- Countertop mounted
- Acts as an Eye/Face Wash and Hand-Held Spray For Eyes and Face or Body Rinsing
- Under-Counter Hose Guide Included
- Full, One-Year Warranty

Specifications

Quick access emergency eye and face spray features soft flow dual sprayhead for flooding large areas as well as eyes only. Under-counter hose guide included.

Construction

8' (2438mm) yellow reinforced thermoplastic hose has 3/8" IPS male thread. Burst strength is 250 PSI.

Standard Equipment

Eye/Face Sprayhead

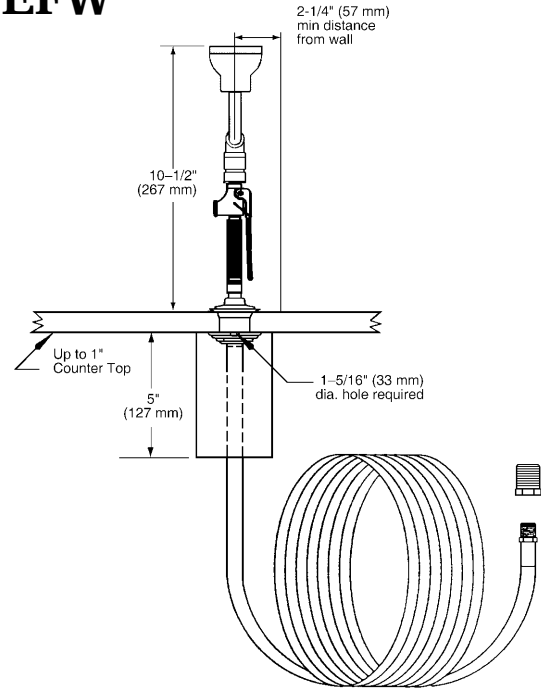
Perforated sprayheads are ABS plastic and feature soft flow dual sprayheads for flooding large areas as well as eyes only. Includes protective sprayhead covers. The integral flow assures safe, steady flow under varying water supply conditions. Highly visible yellow color.

Valve

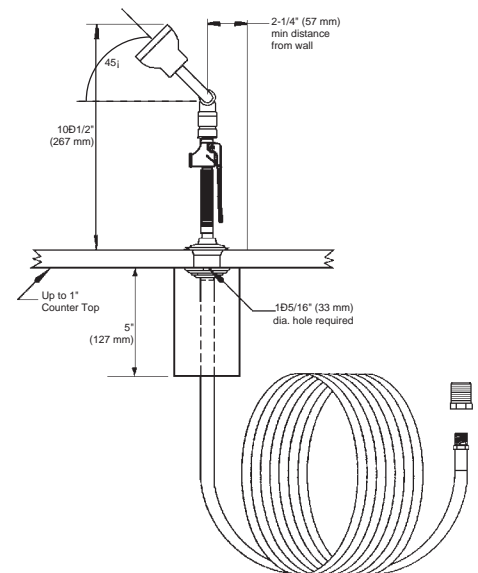
Chrome plated brass w/ extended handle valve stays open once handle is squeezed.

Drench Hose

8' (2438mm) yellow reinforced thermoplastic hose has 3/8" IPS male thread. Burst strength is 250 PSI.



Model S19-460EFW



Model S19-465EFW

MODEL	
Model No.	Description
<input type="checkbox"/> S19-460EFW	Hand-Held Hose Spray, Counter Top-Mounted w/Dual Sprayhead
<input type="checkbox"/> S19-465EFW	Hand-Held Hose Spray, Counter Top-Mounted w/Angled Dual Sprayhead

Document No. 4810

This information is subject to change without formal notice.
© 2003 Bradley Corporation
7-3-2003 (1 Page Total)

Bradley 

P.O. Box 309, Menomonee Falls, WI 53052-0309
Phone 1-800-BRADLEY FAX 262-251-5817
Web Site: <http://www.bradleycorp.com>
Technical Information Fax Service: 1-800-BRADFAX