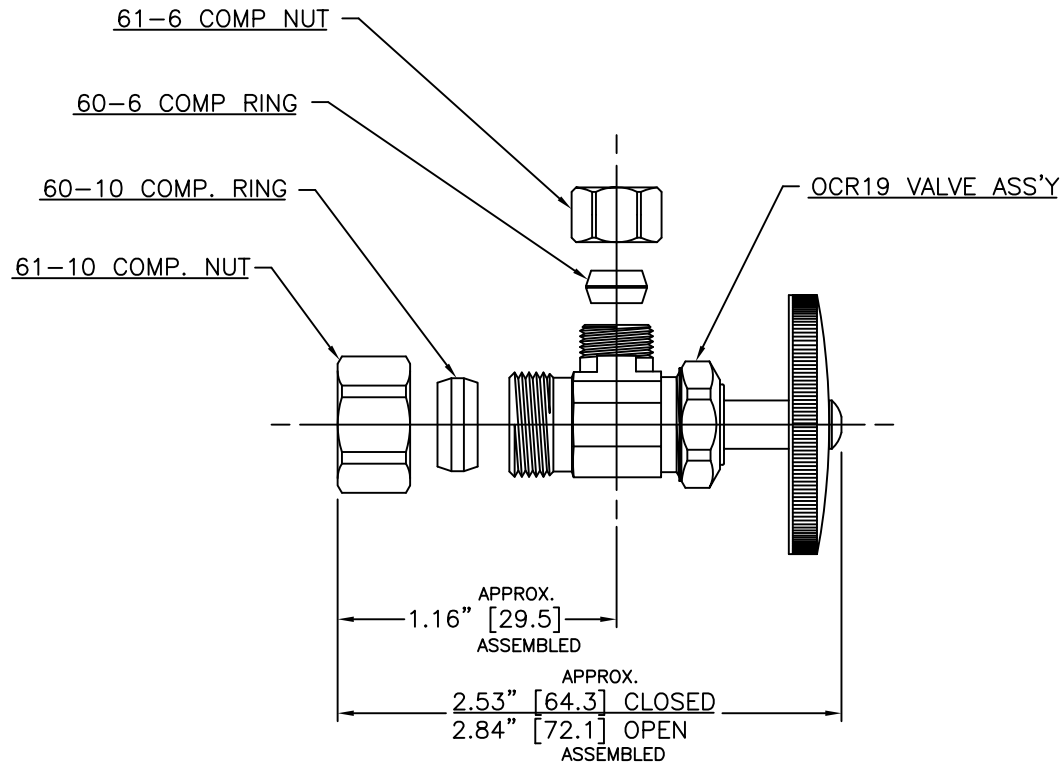


LET.	DATE	PER	BY	CHANGE
E	3/14/03	WFT	MJP	REVISED & UPDATED



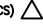
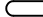



ITEM I.D.	
ROUGH	CHROME
OCR19 R	OCR19 C
OCR19Z R	OCR19Z C

**NOTE:**

- DESIGNED AND MANUFACTURED IN ACCORDANCE WITH ANSI A112.18.1M
- DIMENSIONS IN [ ] ARE MILLIMETER

This drawing and all data contained herein is the confidential and exclusive property of BrassCraft Manufacturing, and shall not be disclosed to others without the written consent of BrassCraft. This drawing must be returned to BrassCraft if requested.

 <b>BrassCraft</b> A Masco Company NOVI, MICHIGAN ALL GDT PER ANSI STD Y14.5M CLASSIFICATION OF QUALITY LEVELS CLASS SYMBOL KPC (KEY PRODUCT CHARACTERISTICS)  STPC (STANDARD PRODUCT CHARACTERISTICS)  PRODUCT MARKINGS 	DESCRIPTION 1/2 NOM COMP X 3/8 OD COMP VALVE (SUBMITTAL)		DRAWING NO. VPA0462E		
	DRAWN PERNAK	DATE: 3/14/2003	MATERIAL	ITEM DESCRIPTION OCR19	
	CHK'D. Klimkie	DATE: 05/02/2003	VOLUME	ITEM ID OCR19 C SEE CHART	
	APP'D.	DATE:	NOTE: UNLESS OTHERWISE SPECIFIED TWO PLACE DECIMALS +/- .010 THREE PLACE DECIMALS +/- .005 ANGULARITY +/- 1°		
UNITS INCH		 SIZE	SCALE: (UNLESS NOTED) FULL	REV. E	