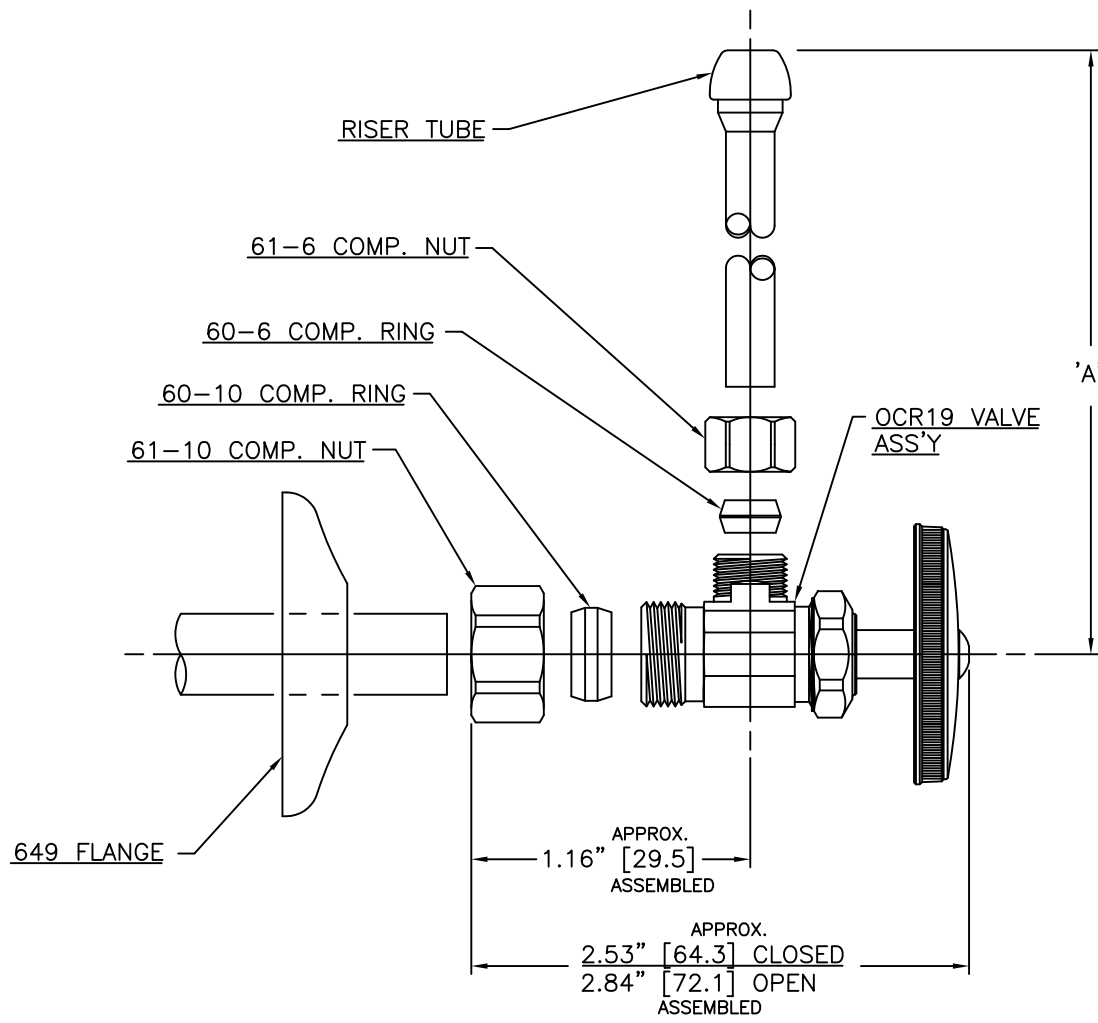


LET.	DATE	PER	BY	CHANGE
E	6/15/04	JPS	KAK	REVISED & UPDATED


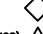
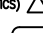



APPROX.
'A'
ASSEMBLED

ITEM I.D.	ITEM DESC.	LENGTH 'A'	FINISH	STEM
OCR1912A R	OCR1912A	12.00 [304.8]	ROUGH	PLASTIC
OCR1912A C	OCR1912A	12.00 [304.8]	CHROME	PLASTIC
OCR1912AZ R	OCR1912AZ	12.00 [304.8]	ROUGH	BRASS
OCR1912AZ C	OCR1912AZ	12.00 [304.8]	CHROME	BRASS
OCR1915A R	OCR1915A	15.00 [381.0]	ROUGH	PLASTIC
OCR1915A C	OCR1915A	15.00 [381.0]	CHROME	PLASTIC
OCR1915AZ C	OCR1915AZ	15.00 [381.0]	CHROME	BRASS
OCR1920A C	OCR1920A	20.00 [508.0]	ROUGH	PLASTIC
OCR1920AZ R	OCR1920AZ	20.00 [508.0]	ROUGH	BRASS
OCR1920AZ C	OCR1920AZ	20.00 [508.0]	CHROME	BRASS

NOTE:
DIMENSIONS IN [] ARE MILLIMETER

This drawing and all data contained herein is the confidential and exclusive property of BrassCraft Manufacturing, and shall not be disclosed to others without the written consent of BrassCraft. This drawing must be returned to BrassCraft if requested.

 BrassCraft A Masco Company NOVI, MICHIGAN	DESCRIPTION 1/2 NOM COMP X 3/8 OD COMP VALVE W/RISER (SUBMITTAL)		DRAWING NO. VPA0556E		
	DRAWN PERNAK	DATE: 3/14/2003	MATERIAL	ITEM DESCRIPTION OCR1912A SEE CHART	
CHK'D. Schutte	DATE: 06/17/2004	VOLUME	ITEM ID OCR1912A R SEE CHART		
CLASS ALL GDT PER ANSI STD Y14.5M CLASSIFICATION OF QUALITY LEVELS	APP'D. DATE:	NOTE: UNLESS OTHERWISE SPECIFIED TWO PLACE DECIMALS +/- .010 THREE PLACE DECIMALS +/- .005 ANGULARITY +/- 1°	UNITS INCH	SCALE: (UNLESS NOTED) FULL	REV. E
KPC (KEY PRODUCT CHARACTERISTICS) 	STPC (STANDARD PRODUCT CHARACTERISTICS) 	PRODUCT MARKINGS 	SIZE 