

CHICAGO FAUCETS



2100 SOUTH CLEARWATER DRIVE
DES PLAINES, ILLINOIS 60018-5999

Last As Long As The Building

FITTING NO.

1006

SUBMITTED MODEL NO.

JOB NAME

ITEM NO.

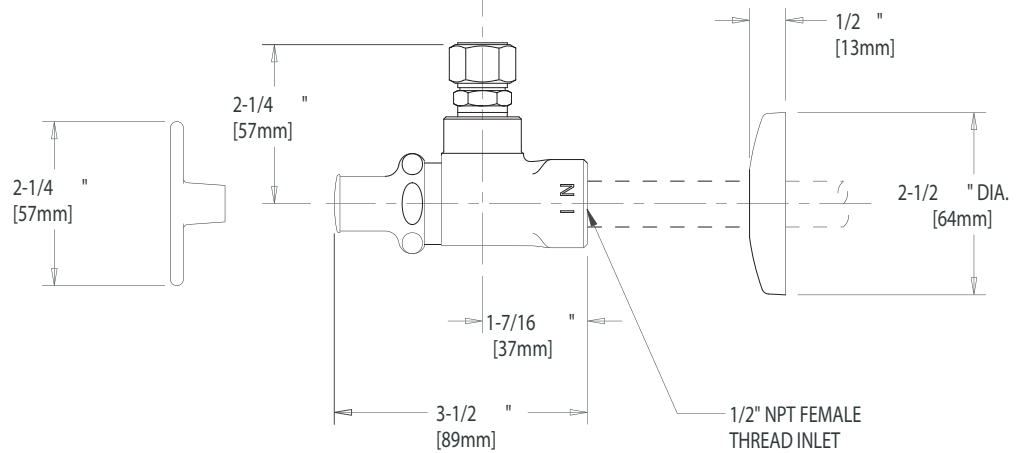
SUBMITTED AS SHOWN

SUBMITTED AS NOTED

SEE ATTACHED FOR
SUBMITTED MODIFICATION

NOTE: ALL DOTTED LINE
PIPING SUPPLIED BY OTHERS

1/2" [12.7mm] O.D.
X 12" [305mm] LG.
NOMINAL FLEXIBLE
SUPPLY RISER



DIMENSIONS IN INCHES AND [MILLIMETERS].

TECHNICAL DATA

- ANGLE STOP FITTING WITH SUPPLY TUBE
- 293-6 LOOSE KEY HANDLE
- SLOW COMPRESSION CARTRIDGE
- FINISH: CHROME PLATE

- 1/2" NPT FEMALE INLET
- 1/2" [12.7] O.D. FLEXIBLE SUPPLY RISER
- ASME A112.18.1M
- CSA B125
- NSF 61 COMPLIANT

DATE: 5-20-02

BY: JAR

CHK'D:

APP'D:

REV: A

1006

IS ASSUMED FOR USE OF SUPERCEDED OR VOIDED DATA.

ROUGHING IN DIMENSIONS MAY VARY AND ARE SUBJECT TO CHANGE. NO RESPONSIBILITY