



2100 SOUTH CLEARWATER DRIVE  
DES PLAINES, ILLINOIS 60018-5999  
847-803-5000

FITTING NO.

1029

SUBMITTED MODEL NO.

*Last As Long As the Building*

JOB NAME

ITEM NO

SUBMITTED AS SHOWN

SUBMITTED AS NOTED

SEE ATTACHED FOR  
SUBMITTED MODIFICATION

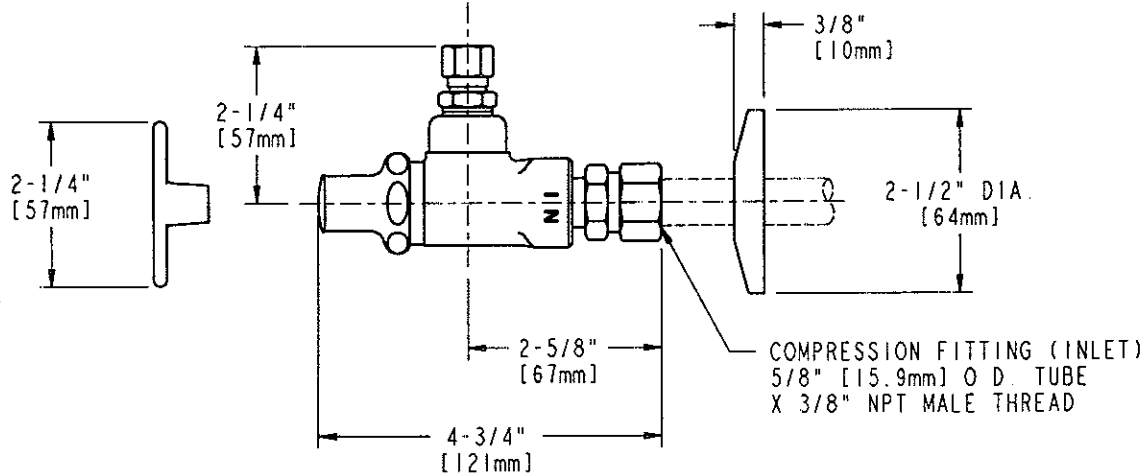
ANSI/NSF61, SECTION 9

ANSI A112 18.1

CSA B125

NOTE: ALL DOTTED LINE  
PIPING SUPPLIED BY OYHERS

3/8" [9.5mm] O.D.  
X 12" [305mm] LG  
NOMINAL FLEXIBLE  
SUPPLY RISER



DIMENSIONS IN INCHES AND [MILLIMETERS]

TECHNICAL DATA

SPECIFICATION MANUAL

ANGLE VALVE WITH WALL FLANGE  
LOOSE KEY HANDLE  
SLO-COMPRESSION UNIT  
POLISHED CHROME FINISH

5/8" [15.9mm] O.D. COMP INLET  
3/8" [9.5mm] O.D. COMP. OUTLET  
ANSI A112.18.1 COMPLIANT  
CSA B125 COMPLIANT

Roughing in dimensions may vary and are subject to change. No responsibility is assumed for use of superseded or voided data. (0199)