

CHICAGO FAUCETS

a Geberit company



2100 SOUTH CLEARWATER DRIVE
DES PLAINES, ILLINOIS 60018-5999

FITTING NO.

1100-317

SUBMITTED MODEL NO.

JOB NAME

ITEM NO.

SUBMITTED AS SHOWN

SUBMITTED AS NOTED

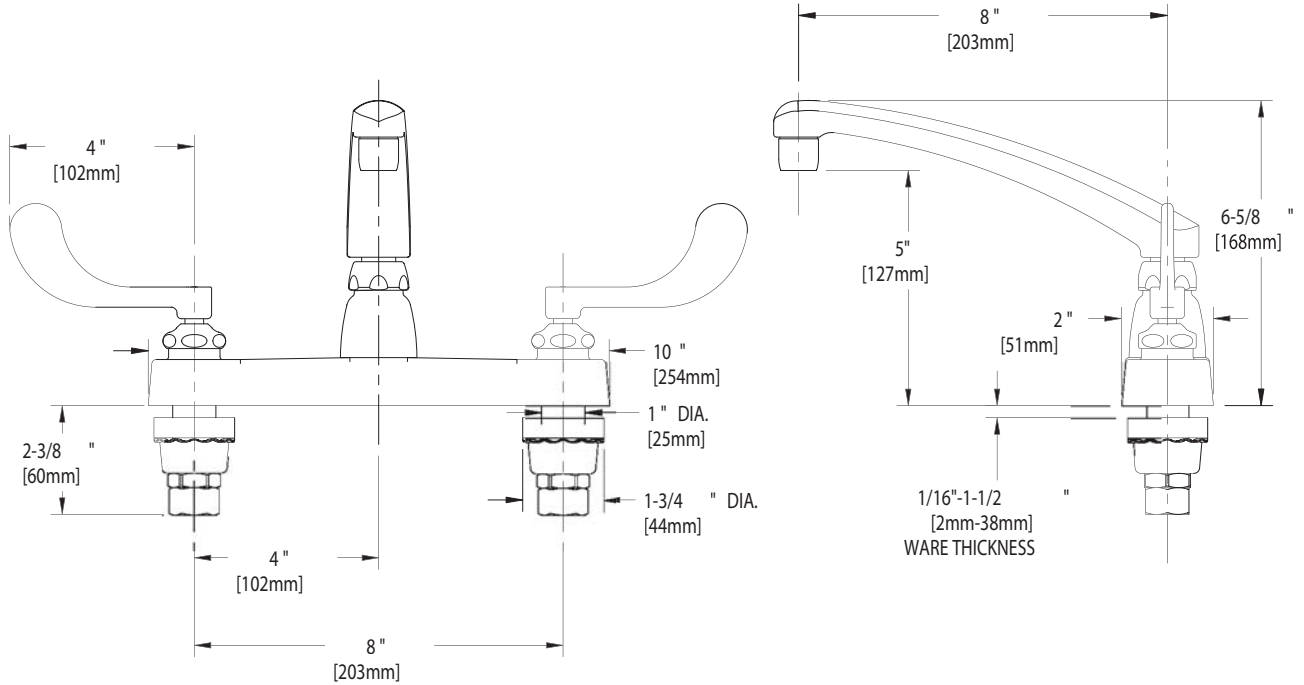
SEE ATTACHED FOR
SUBMITTED MODIFICATION



ADA COMPLIANT

IS ASSUMED FOR USE OF SUPERCEDED OR VOIDED DATA.

ROUGHING IN DIMENSIONS MAY VARY AND ARE SUBJECT TO CHANGE. NO RESPONSIBILITY



TECHNICAL DATA

- DECK MOUNTED FITTING
- L8 CAST SWING SPOUT
- 317 INDEXED WRIST BLADE HANDLE
- QUATURN OPERATING CARTRIDGE
- FINISH: CHROME PLATE

- E3 SOFTFLO AERATOR
- 2.2 GPM [8.3 L/min.] FLOW RATE
- ASME A112.18.1M
- CSA B125
- NSF 61 COMPLIANT

DATE: 3-7-05

BY: JAR

CHK'D:

APP'D:

REV: B

1100-317