

# CHICAGO FAUCETS



2100 SOUTH CLEARWATER DRIVE  
DES PLAINES, ILLINOIS 60018-5999

FITTING NO.

1102-LESSSPT

SUBMITTED MODEL NO.

Last As Long As The Building

JOB NAME

ITEM NO.

SUBMITTED AS SHOWN

SUBMITTED AS NOTED

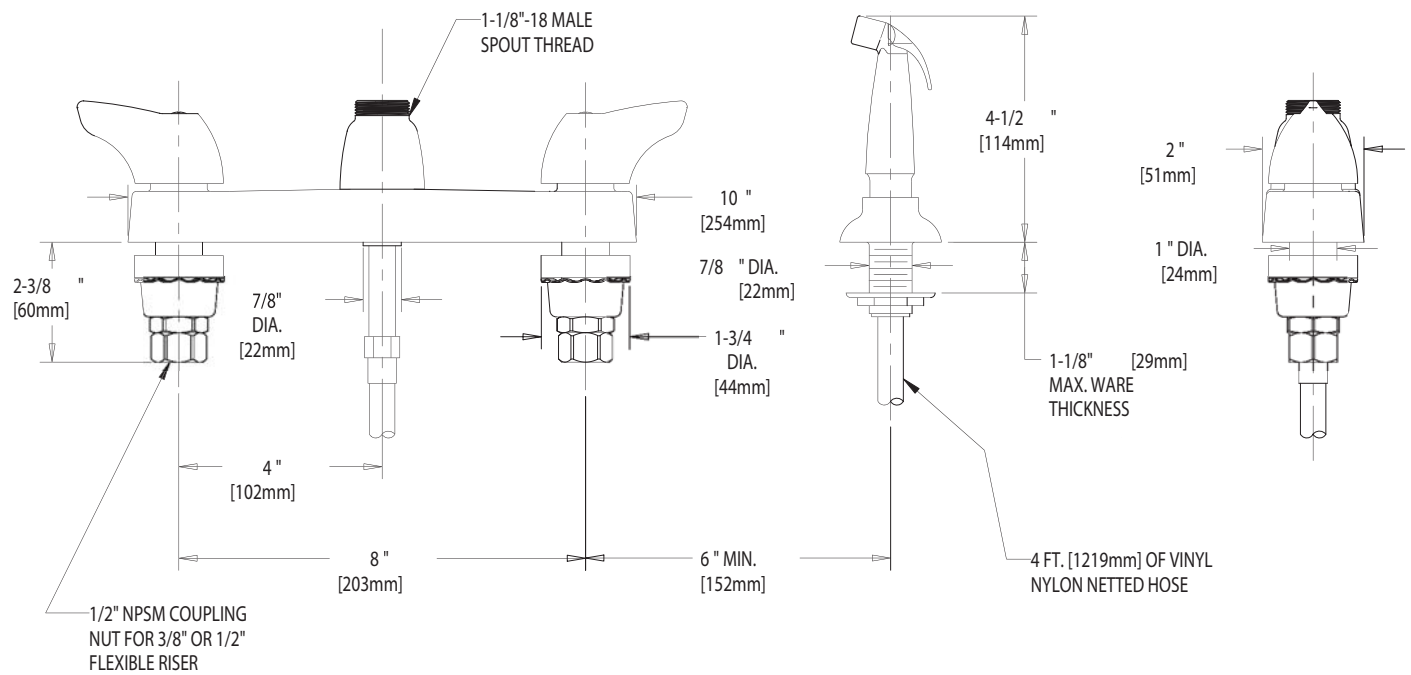
SEE ATTACHED FOR  
SUBMITTED MODIFICATION



ADA COMPLIANT

IS ASSUMED FOR USE OF SUPERCEDED OR VOIDED DATA.

ROUGHING IN DIMENSIONS MAY VARY AND ARE SUBJECT TO CHANGE. NO RESPONSIBILITY



THIS VIEW SHOWN  
LESS SPRAY

DIMENSIONS IN INCHES AND [MILLIMETERS].

## TECHNICAL DATA

- DECK MOUNTED FITTING LESS SPOUT WITH SPRAY
- 1000 INDEXED SINGLE WING HANDLES
- QUATURN OPERATING CARTRIDGES
- FINISH: CHROME PLATE

- ASME A112.18.1M COMPLIANT
- CSA B125 COMPLIANT
- NSF 61 COMPLIANT

DATE: 5-16-02

BY: JAR

CHK'D:

APP'D:

REV: A

1102-LESSSPT