

# CHICAGO FAUCETS

Last As Long As The Building



2100 SOUTH CLEARWATER DRIVE  
DES PLAINES, ILLINOIS 60018-5999

FITTING NO.

119

SUBMITTED MODEL NO.

JOB NAME

ITEM NO.

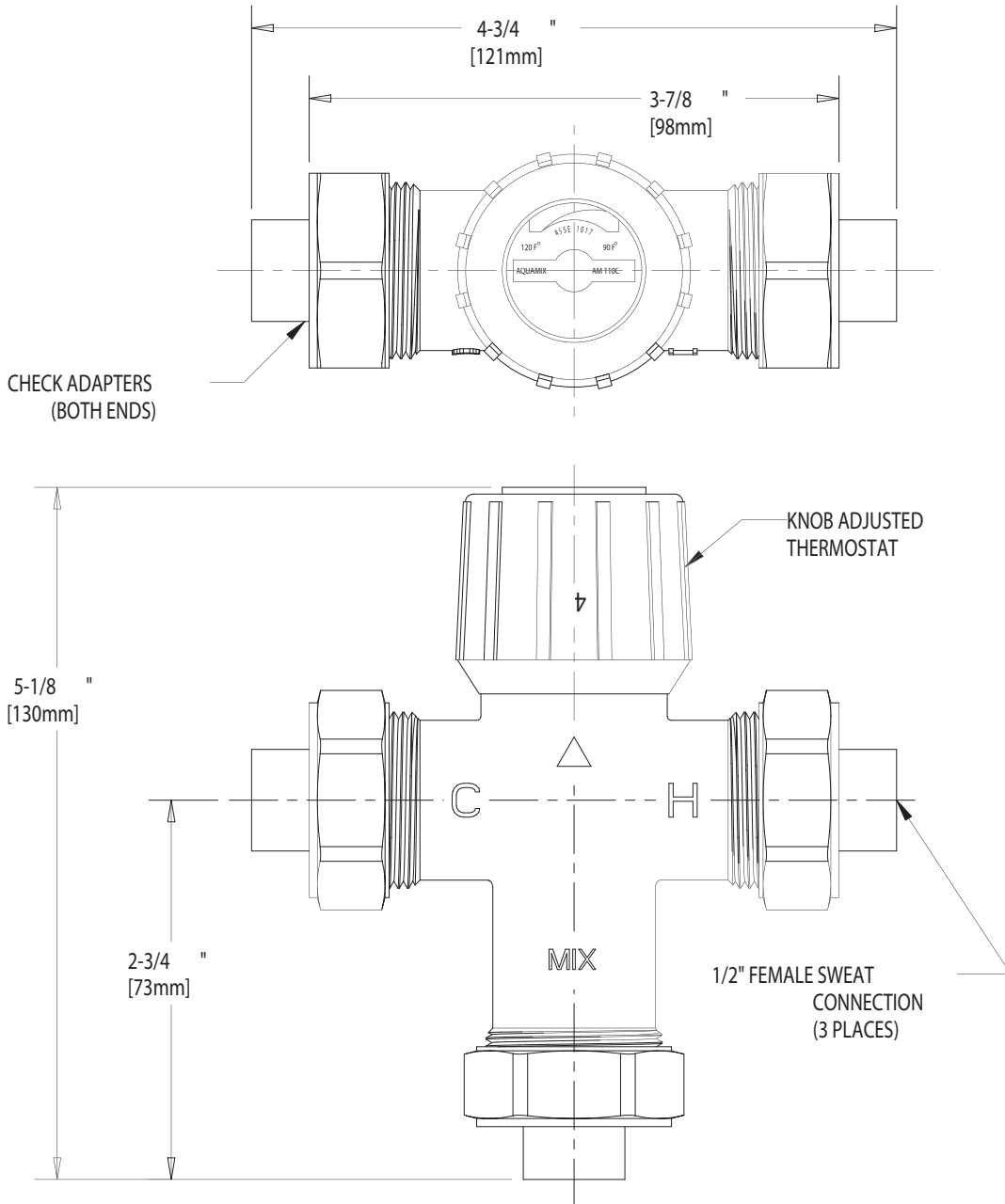
SUBMITTED AS SHOWN

SUBMITTED AS NOTED

SEE ATTACHED FOR  
SUBMITTED MODIFICATION

NOTE: IT IS RECOMMENDED THAT THIS VALVE BE INSTALLED WITH ACCESSIBLE STOPS WHICH SHALL BE SUPPLIED BY OTHERS (IN THE EVENT SERVICE SHOULD BE REQUIRED).

IS ASSUMED FOR USE OF SUPERCEDED OR VOIDED DATA.



ROUGHING IN DIMENSIONS MAY VARY AND ARE SUBJECT TO CHANGE. NO RESPONSIBILITY

## TECHNICAL DATA

- THERMOSTATIC MIXING VALVE FOR 1 TO 6 FITTINGS  
 - 80° - 120° RANGE FOR MIXED WATER TEMPERATURE  
 - IN-LINE CHECK VALVES ON HOT AND COLD WATER INLETS

- 50 PSID @ 12.5 GPM  
 - 40 PSID @ 11.0 GPM  
 - 30 PSID @ 9.5 GPM

DATE: 7-18-02

BY: JAR

CHK'D:

APP'D:

REV: A

119