

# CHICAGO FAUCETS



2100 SOUTH CLEARWATER DRIVE  
DES PLAINES, ILLINOIS 60018-5999

Last As Long As The Building

FITTING NO.

1201A

SUBMITTED MODEL NO.

JOB NAME

ITEM NO.

SUBMITTED AS SHOWN

SUBMITTED AS NOTED

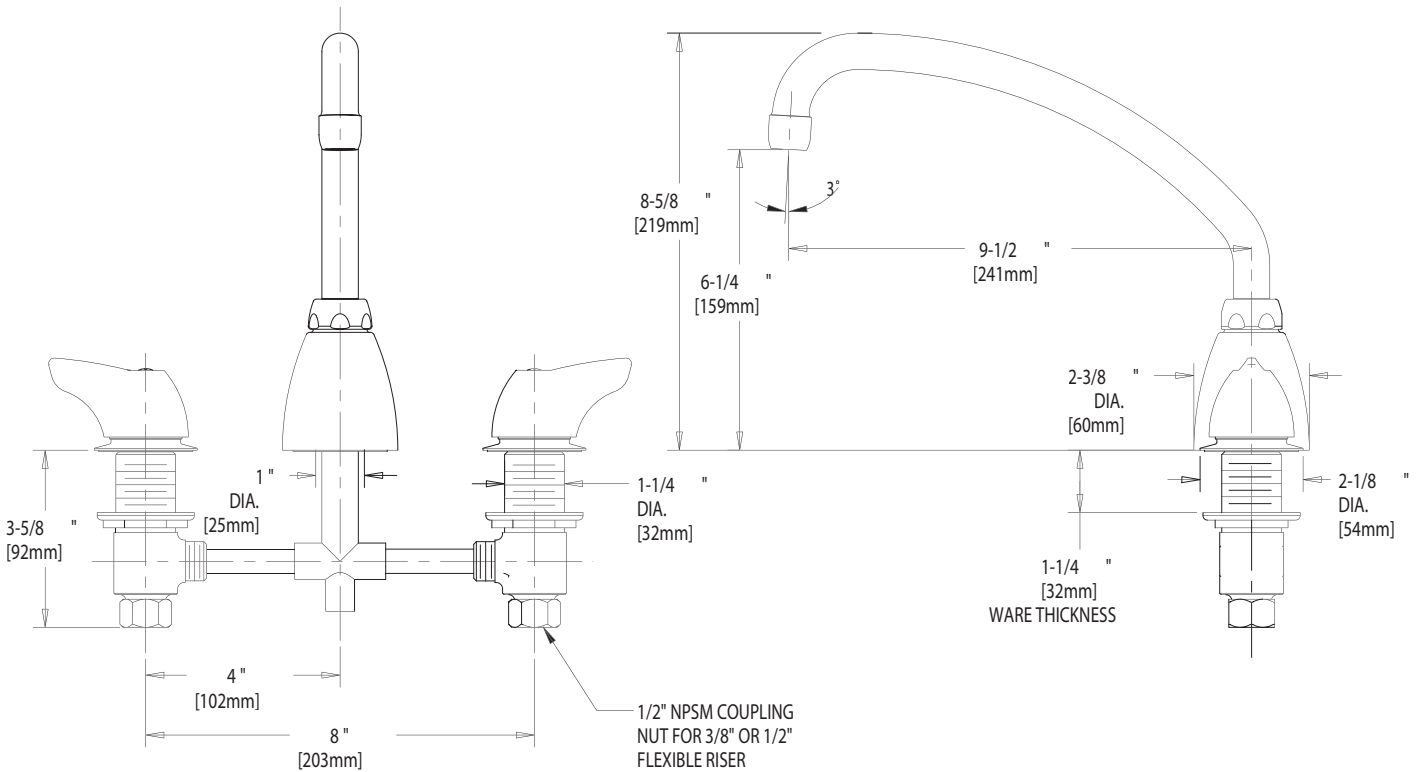
SEE ATTACHED FOR  
SUBMITTED MODIFICATION



ADA COMPLIANT

IS ASSUMED FOR USE OF SUPERCEDED OR VOIDED DATA.

ROUGHING IN DIMENSIONS MAY VARY AND ARE SUBJECT TO CHANGE. NO RESPONSIBILITY



DIMENSIONS IN INCHES AND [MILLIMETERS].

## TECHNICAL DATA

- DECK MOUNTED FITTING
- L9 SWING SPOUT
- 1000 INDEXED SINGLE WING HANDLES
- QUATURN OPERATING CARTRIDGES
- FINISH: CHROME PLATE

- E3 SOFTFLO AERATOR
- 2.2 GPM [8.3 L/min.] FLOW RATE
- ASME A112.18.1M
- CSA B125
- NSF 61 COMPLIANT

DATE: 5-15-02

BY: JAR

CHK'D:

APP'D:

REV: A

1201A