

# CHICAGO FAUCETS



2100 SOUTH CLEARWATER DRIVE  
DES PLAINES, ILLINOIS 60018-5999

Last As Long As The Building

FITTING NO.

1762-IS

SUBMITTED MODEL NO.

JOB NAME

ITEM NO.

SUBMITTED AS SHOWN

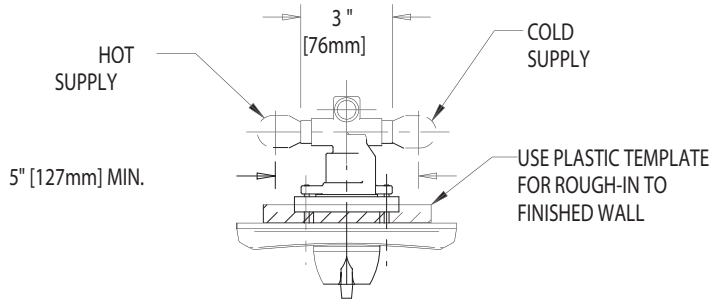
SUBMITTED AS NOTED

SEE ATTACHED FOR  
SUBMITTED MODIFICATION

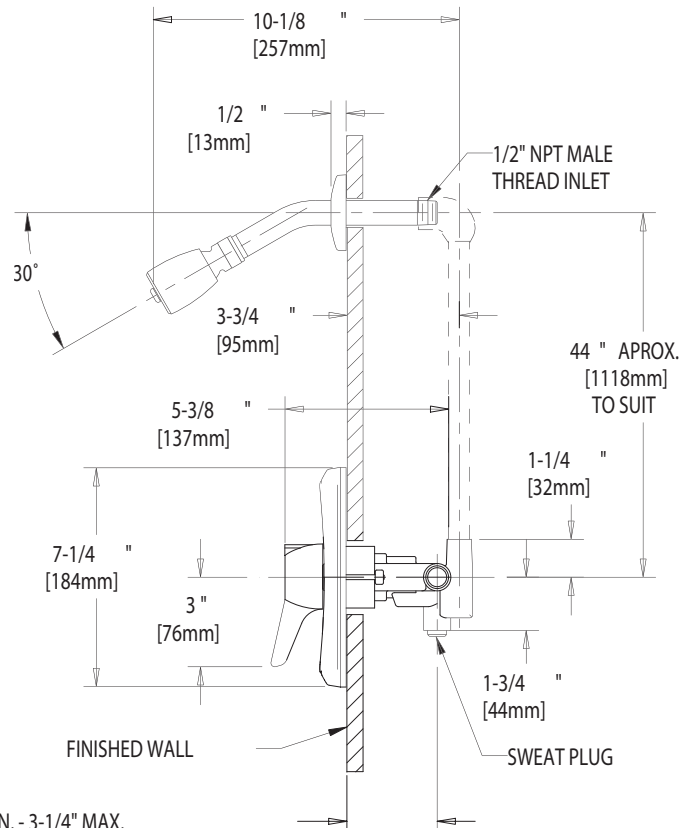
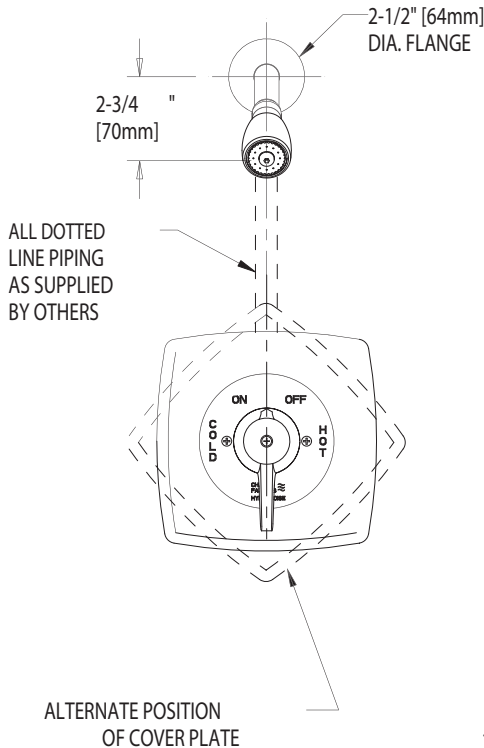


ADA COMPLIANT

IS ASSUMED FOR USE OF SUPERCEDED OR VOIDED DATA.



TOP VIEW  
(VALVE DETAIL)



2-1/4" MIN. - 3-1/4" MAX.  
[57mm - 83mm] HOT AND COLD  
1/2" NOMINAL COPPER SUPPLIES

ROUGHING IN DIMENSIONS MAY VARY AND ARE SUBJECT TO CHANGE. NO RESPONSIBILITY

DIMENSIONS IN INCHES AND [MILLIMETERS].

## TECHNICAL DATA

- PRESSURE BALANCING SHOWER VALVE
- LEVER HANDLE
- PRESSURE BALANCING CARTRIDGE
- SHOWER VALVE CYCLES FROM COLD TO HOT
- INTEGRAL SERVICE STOPS
- FINISH: CHROME PLATE

- 620A SHOWER HEAD, ARM AND FLANGE
- 2.5 GPM [9.5 L/min.] FLOW RATE

DATE: 10-10-02

BY: JAR

CHK'D:

APP'D:

REV: B

1762-IS