

# CHICAGO FAUCETS



2100 SOUTH CLEARWATER DRIVE  
DES PLAINES, ILLINOIS 60018-5999

FITTING NO.

305-VBR

SUBMITTED MODEL NO.

Last As Long As The Building

JOB NAME

ITEM NO.

SUBMITTED AS SHOWN

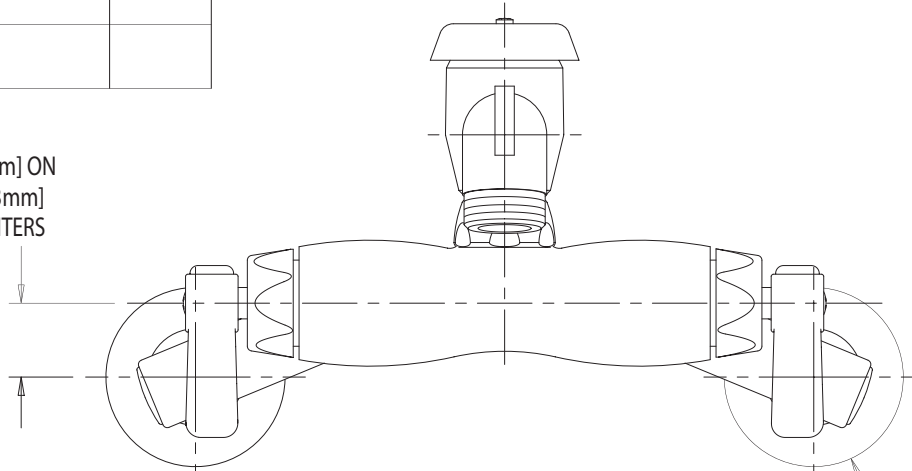
SUBMITTED AS NOTED

SEE ATTACHED FOR  
SUBMITTED MODIFICATION



ADA COMPLIANT

1" [25mm] ON  
8" [203mm]  
CENTERS

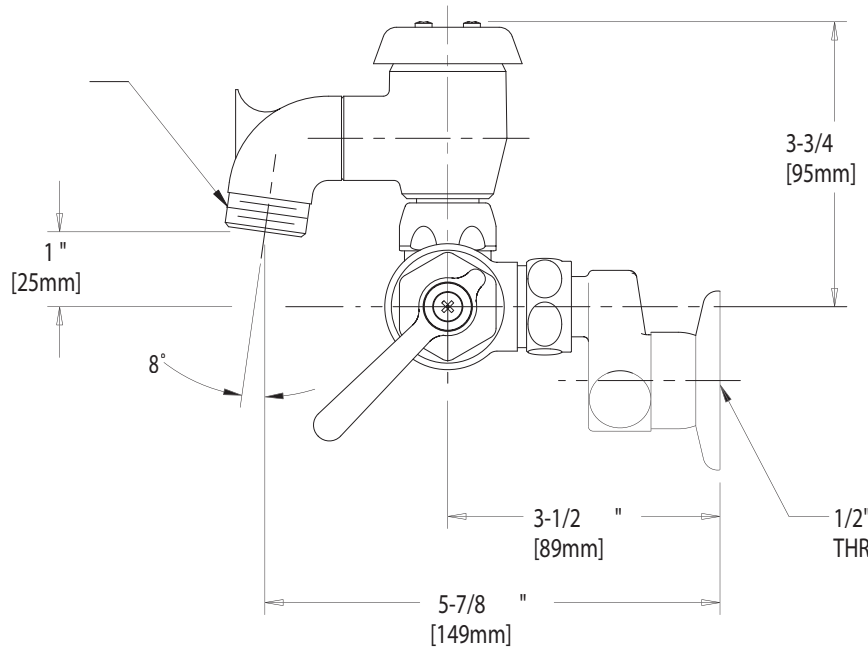


8" [203mm]  
ADJUSTABLE

2-5/16" [59mm]  
DIA. FLANGE

FRONT VIEW

3/4" MALE HOSE  
THREAD OUTLET



3-3/4"  
[95mm]

1"  
[25mm]

8°

3-1/2"  
[89mm]

1/2" NPT FEMALE  
THREAD INLETS

5-7/8"  
[149mm]

SIDE VIEW

DIMENSIONS IN INCHES AND [MILLIMETERS].

## TECHNICAL DATA

- WALL MOUNTED SERVICE SINK FAUCET
- VACUUM BREAKER SPOUT WITH PAIL HOOK
- 369 INDEXED LEVER HANDLES
- QUATURN OPERATING CARTRIDGES
- FINISH: CHROME PLATE OR ROUGH CHROME

- 'R' ADJUSTABLE SUPPLY ARMS WITH INTEGRAL SERVICE STOPS
- 3/4" MALE HOSE THREAD OUTLET
- ASME A112.18.1M COMPLIANT
- CSA B125 COMPLIANT

DATE: 04-17-02

BY: SID

CHK'D:

APP'D:

REV: A

305-VBR

IS ASSUMED FOR USE OF SUPERCEDED OR VOIDED DATA.

ROUGHING IN DIMENSIONS MAY VARY AND ARE SUBJECT TO CHANGE. NO RESPONSIBILITY