

# CHICAGO FAUCETS



2100 SOUTH CLEARWATER DRIVE  
DES PLAINES, ILLINOIS 60018-5999

Last As Long As The Building

FITTING NO.

327A

SUBMITTED MODEL NO.

JOB NAME

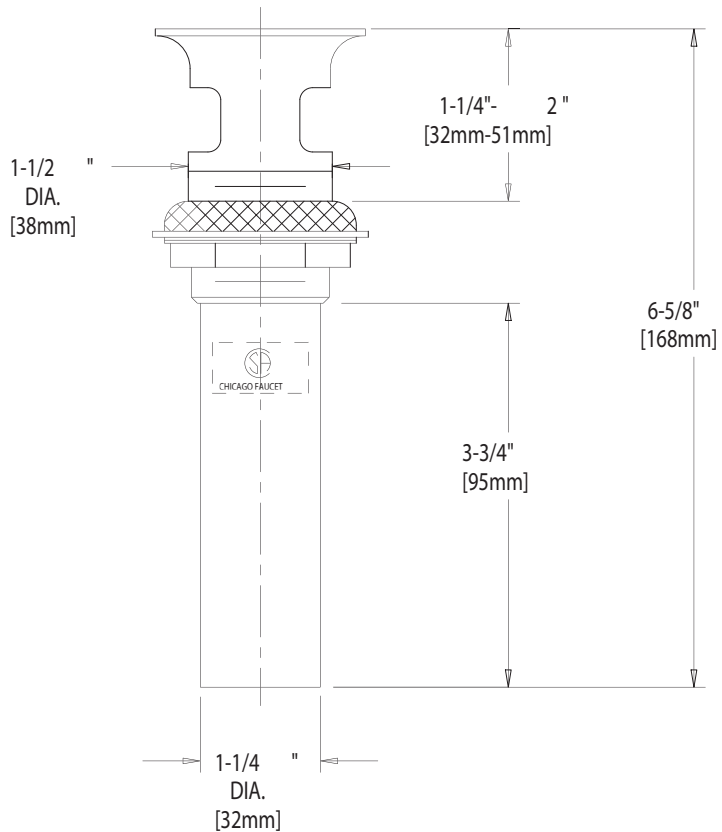
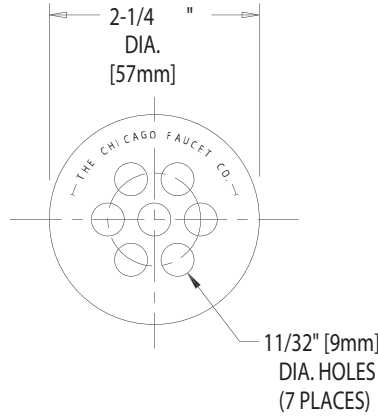
ITEM NO.

SUBMITTED AS SHOWN

SUBMITTED AS NOTED

SEE ATTACHED FOR  
SUBMITTED MODIFICATION

IS ASSUMED FOR USE OF SUPERCEDED OR VOIDED DATA.



ROUGHING IN DIMENSIONS MAY VARY AND ARE SUBJECT TO CHANGE. NO RESPONSIBILITY

DIMENSIONS IN INCHES AND [MILLIMETERS].

TECHNICAL DATA

- GRID STRAINER WASTE
- NON-REMOVABLE BRASS STRAINER
- INTEGRAL SPUD WITH TAILPIECE
- FINISH: CHROME PLATE

- ANSI A112.18.1 COMPLIANT
- CSA B125 COMPLIANT

DATE: 04-17-02

BY: SID

CHK'D:

APP'D:

REV: A

327A