

CHICAGO[®] FAUCETS

2100 SOUTH CLEARWATER DRIVE
DES PLAINES, ILLINOIS 60018-5999

FITTING NO.

509-GC

SUBMITTED MODEL NO.

JOB NAME

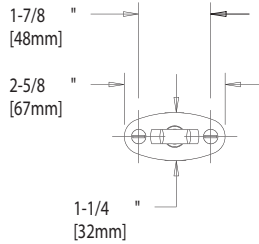
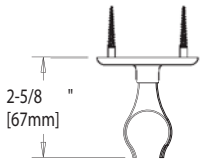
ITEM NO.

SUBMITTED AS SHOWN

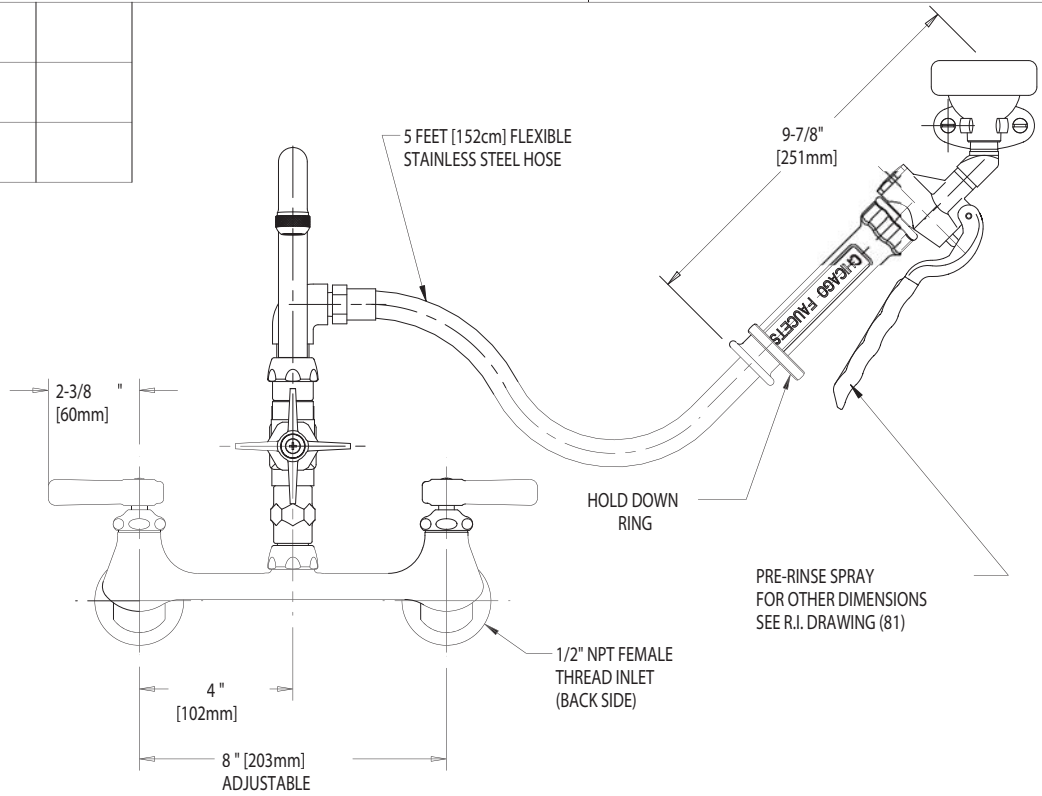
SUBMITTED AS NOTED

SEE ATTACHED FOR
SUBMITTED MODIFICATION

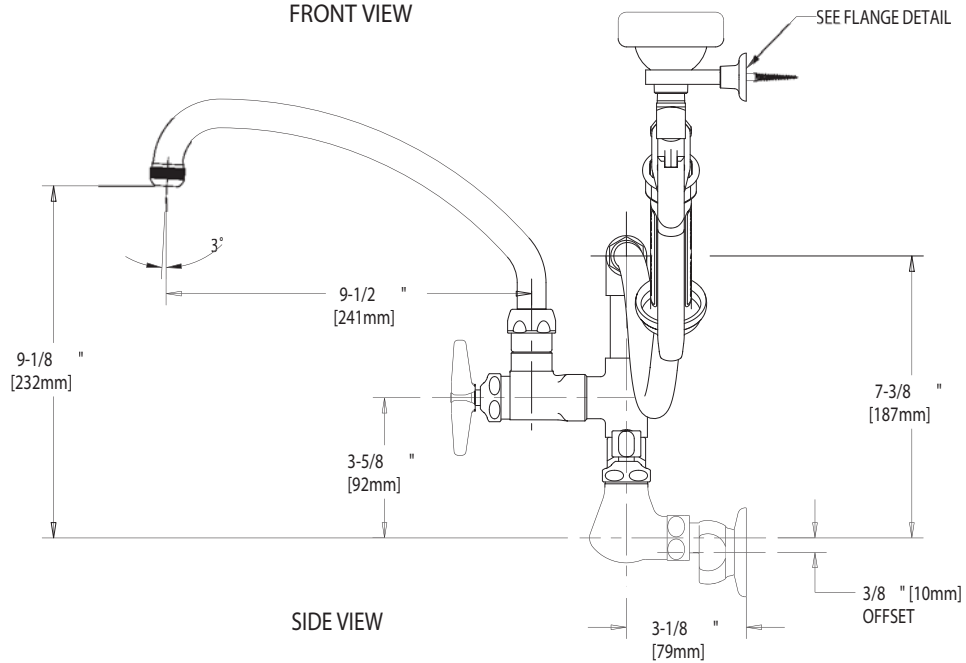
(2) NO. 10 FLAT
HEAD WOOD SCREW
1-1/2" [38mm] LONG



FLANGE DETAIL



FRONT VIEW



SIDE VIEW

DIMENSIONS IN INCHES AND [MILLIMETERS].

TECHNICAL DATA

- WALL MOUNTED PRE-RINSE FITTING WITH ADAPTA FAUCET
- L9 SWING SPOUT
- 369 INDEXED LEVER HANDLES
- QUATURN UNITS
- 'GC' SUPPLY ARMS WITH INTEGRAL CHECKS
- POLISHED CHROME FINISH OR AS SPECIFIED

- NO. 81 PRE-RINSE SPRAY
- 5' [152cm] STAINLESS STEEL HOSE
- E1 QUIXTOP OUTLET
- ANSI A112.18.1 COMPLIANT
- CSA B125 COMPLIANT

DATE: 09-12-00

BY: SID

CHK'D:

APP'D:

REV:

509-GC

IS ASSUMED FOR USE OF SUPERCEDED OR VOIDED DATA. (0192-1)

ROUGHING IN DIMENSIONS MAY VARY AND ARE SUBJECT TO CHANGE. NO RESPONSIBILITY