

# CHICAGO FAUCETS



2100 SOUTH CLEARWATER DRIVE  
DES PLAINES, ILLINOIS 60018-5999

Last As Long As The Building

FITTING NO.

**510-GC**

SUBMITTED MODEL NO.

JOB NAME

ITEM NO.

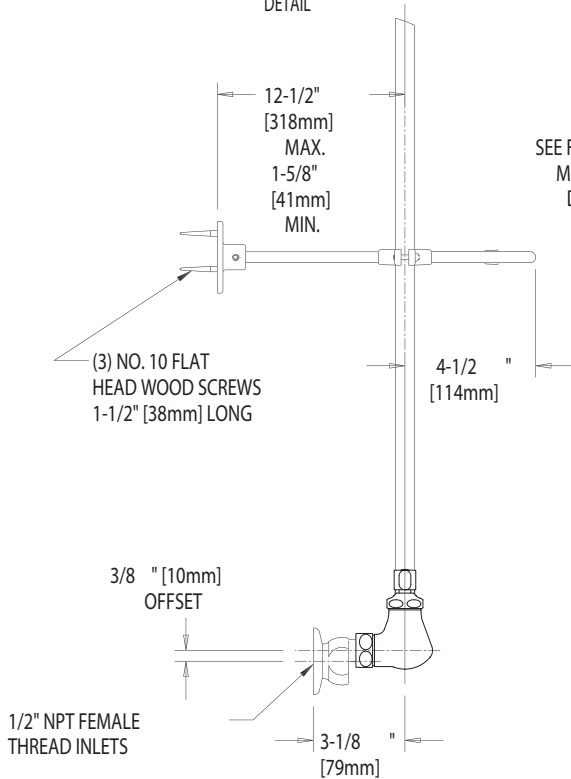
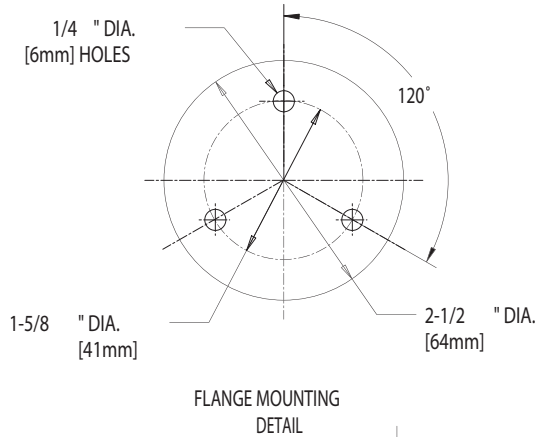
SUBMITTED AS SHOWN

SUBMITTED AS NOTED

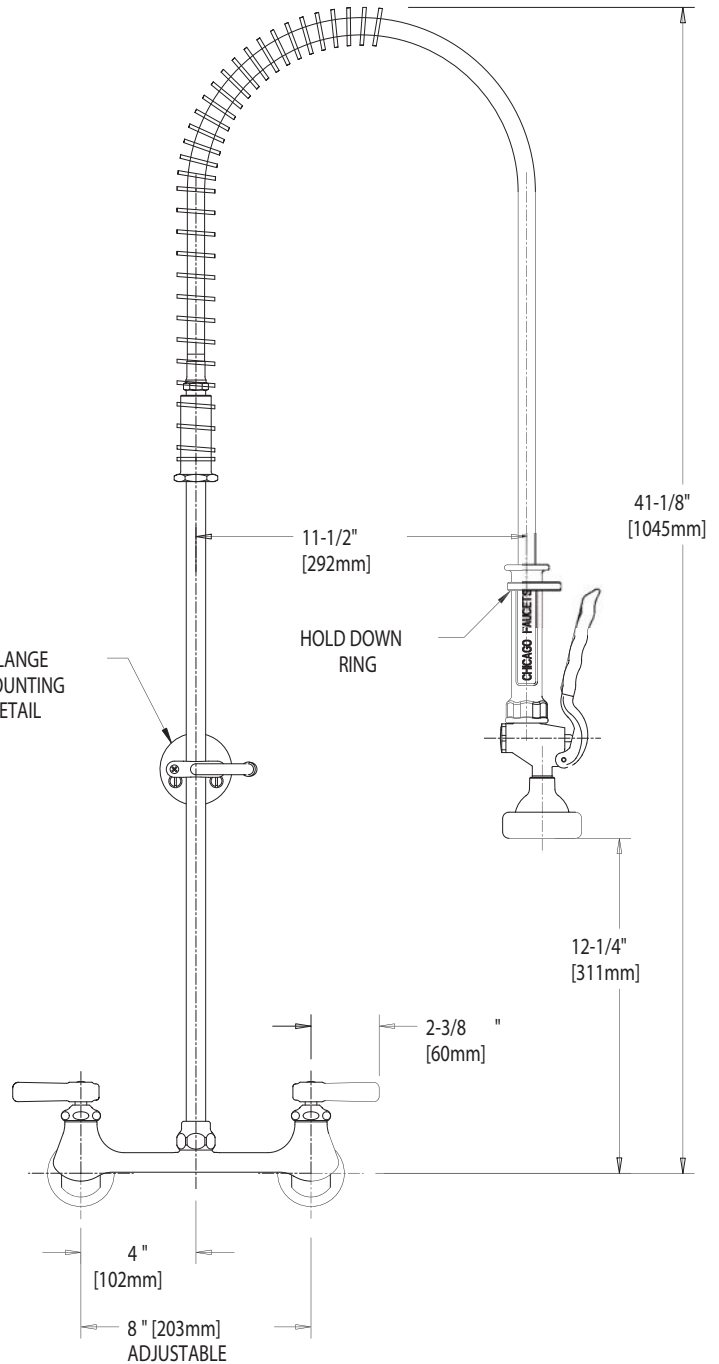
SEE ATTACHED FOR  
SUBMITTED MODIFICATION

IS ASSUMED FOR USE OF SUPERCEDED OR VOIDED DATA. (0192-1)

ROUGHING IN DIMENSIONS MAY VARY AND ARE SUBJECT TO CHANGE. NO RESPONSIBILITY



SEE FLANGE  
MOUNTING  
DETAIL



DIMENSIONS IN INCHES AND [MILLIMETERS].

## TECHNICAL DATA

- WALL MOUNTED PRE-RINSE SPRAY
- 44" STAINLESS STEEL HOSE WITH INSULATED HANDLE
- 369 INDEXED LEVER HANDLES
- QUATURN OPERATING CARTRIDGES
- 'GC' SUPPLY ARMS WITH INTEGRAL CHECKS
- FINISH: CHROME PLATE

- 80 SELF CLOSING SPRAY VALVE
- 1/2" NPT FEMALE INLET
- ASME A112.18.1M COMPLIANT
- CSA B125 COMPLIANT

DATE: 04-23-02

BY: SID

CHK'D:

APP'D:

REV: A

**510-GC**