

# CHICAGO<sup>®</sup> FAUCETS

2100 SOUTH CLEARWATER DRIVE  
DES PLAINES, ILLINOIS 60018-5999

FITTING NO.

**909-AGV**

SUBMITTED MODEL NO.

JOB NAME

ITEM NO.

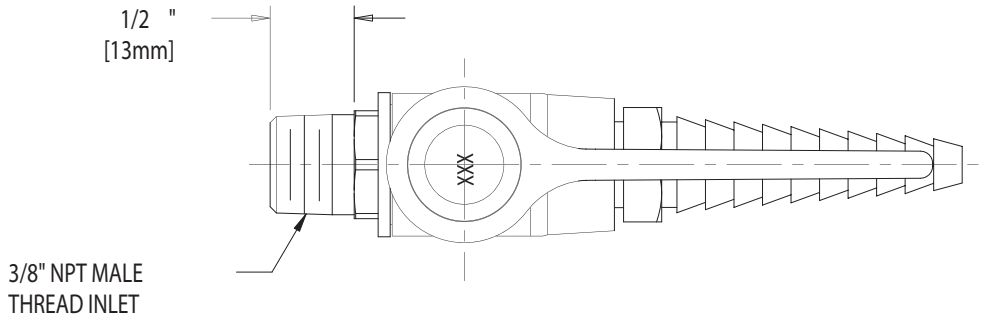
SUBMITTED AS SHOWN

SUBMITTED AS NOTED

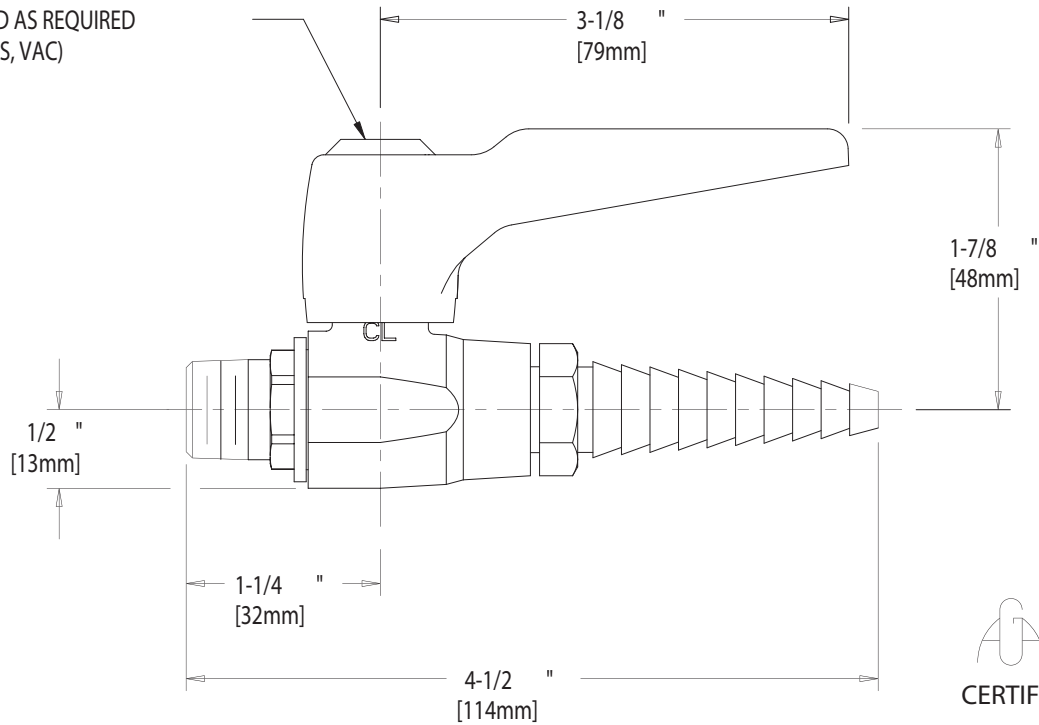
SEE ATTACHED FOR  
SUBMITTED MODIFICATION



ADA COMPLIANT



INDEXED AS REQUIRED  
(AIR, GAS, VAC)



DIMENSIONS IN INCHES AND [MILLIMETERS].

TECHNICAL DATA

- GAS BALL VALVE WITH 3/8" NPT MALE THREAD INLET
- REMOVABLE SERRATED HOSE NOZZLE OUTLET
- LEVER HANDLE WITH INDEX BUTTON (SPECIFY INDEX)
- POLISHED CHROME FINISH OR AS SPECIFIED

- FOR USE WITH 0.5-125 PSI  
MAXIMUM WORKING PRESSURE
- ANSI Z21.15-1997
- CGA9.1-M97

DATE: 06-19-01

BY: SID

CHK'D:

APP'D:

REV:

**909-AGV**

IS ASSUMED FOR USE OF SUPERCEDED OR VOIDED DATA. (0192-1)

ROUGHING IN DIMENSIONS MAY VARY AND ARE SUBJECT TO CHANGE. NO RESPONSIBILITY