

# CHICAGO FAUCETS

a Geberit company



2100 SOUTH CLEARWATER DRIVE  
DES PLAINES, ILLINOIS 60018-5999

FITTING NO.

928

SUBMITTED MODEL NO.

JOB NAME

ITEM NO.

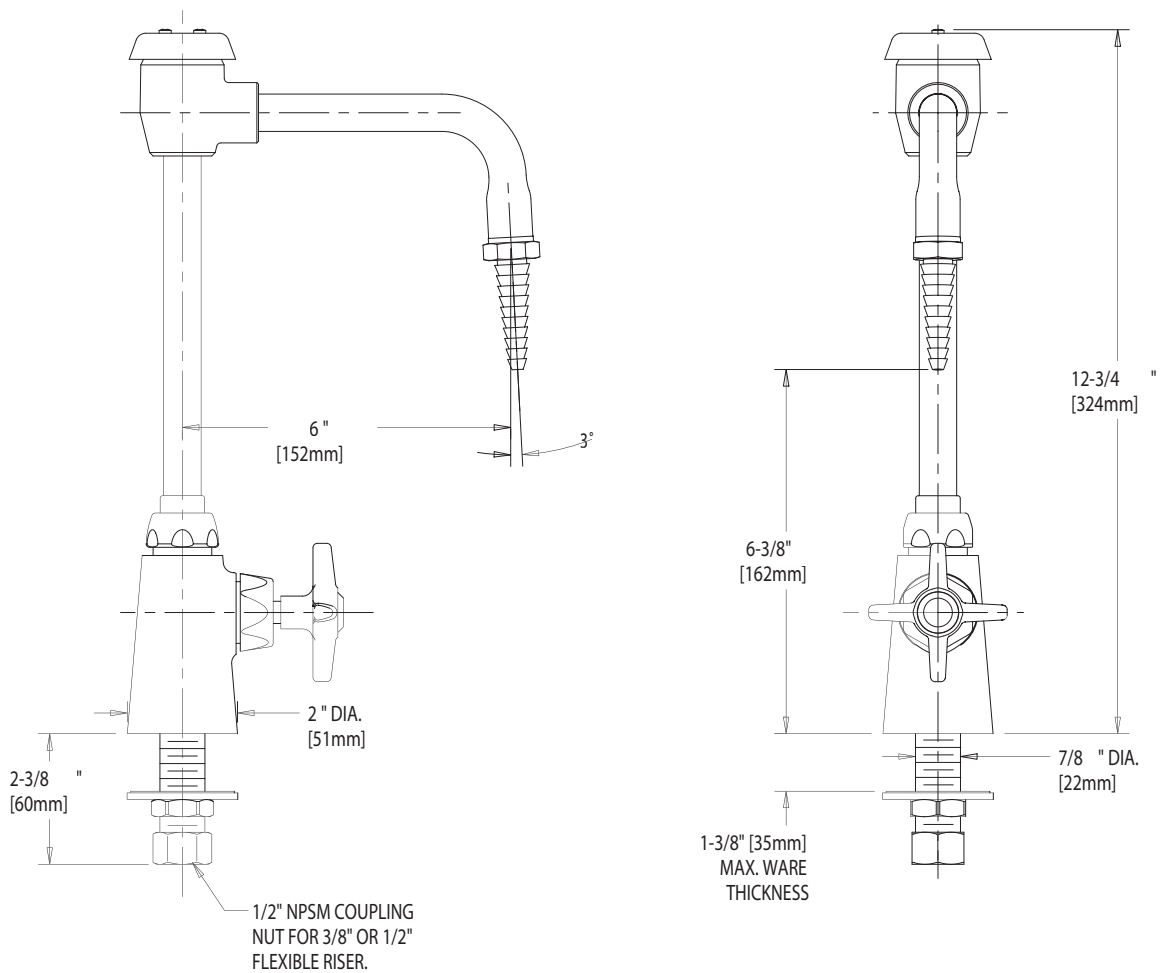
SUBMITTED AS SHOWN

SUBMITTED AS NOTED

SEE ATTACHED FOR  
SUBMITTED MODIFICATION

IS ASSUMED FOR USE OF SUPERCEDED OR VOIDED DATA.

ROUGHING IN DIMENSIONS MAY VARY AND ARE SUBJECT TO CHANGE. NO RESPONSIBILITY



DIMENSIONS IN INCHES AND [MILLIMETERS].

## TECHNICAL DATA

- DECK MOUNTED SINGLE WATER INLET FITTING
- GN2BVB RIGID/SWING VACUUM BREAKER SPOUT
- 204 CROSS HANDLE WITH COLD WATER SERVICE BUTTON
- SLOW COMPRESSION CARTRIDGE
- FINISH: CHROME PLATE

- E7 REMOVABLE SERRATED HOSE NOZZLE
- ASME A112.18.1M COMPLIANT
- CSA B125 COMPLIANT

DATE: 5-28-02

BY: JAR

CHK'D:

APP'D:

REV: B

928