

CHICAGO[®] FAUCETS

2100 SOUTH CLEARWATER DRIVE
DES PLAINES, ILLINOIS 60018-5999

FITTING NO.

9305

SUBMITTED MODEL NO.

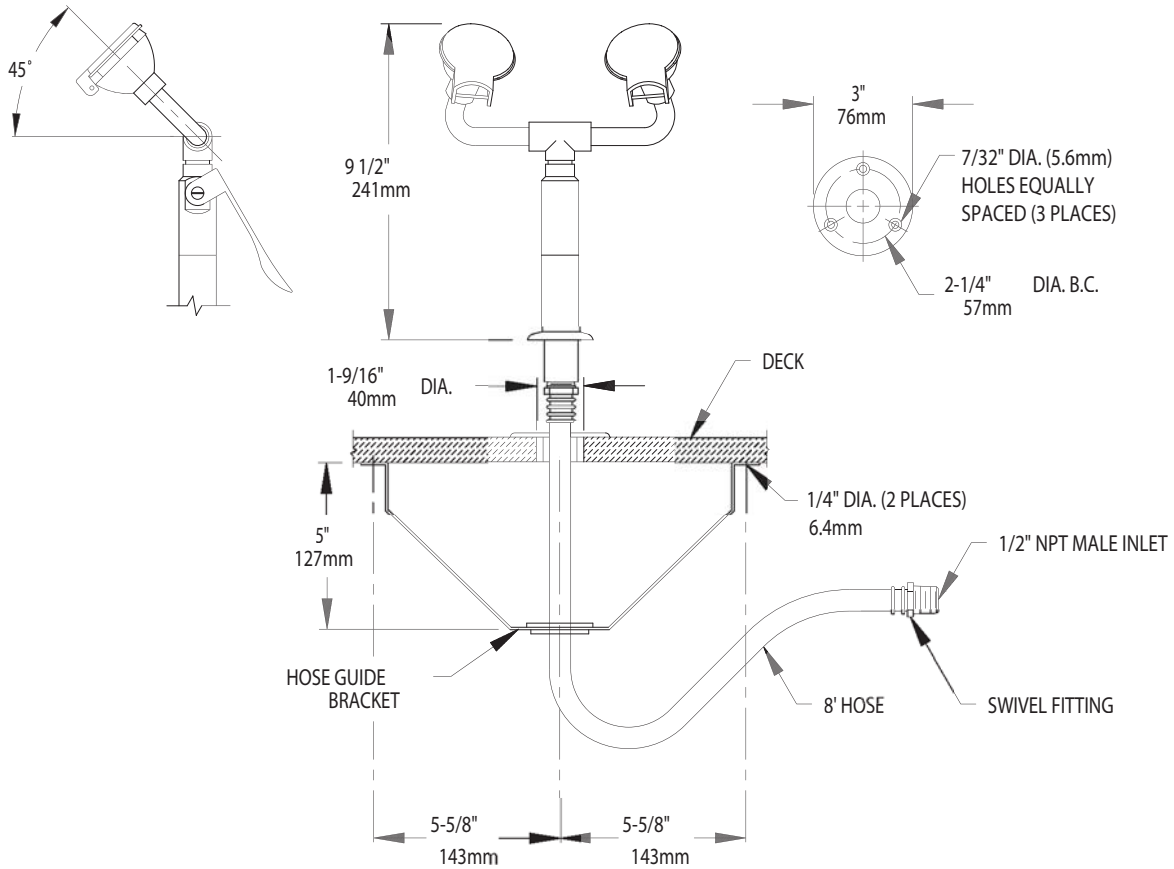
JOB NAME

ITEM NO.

SUBMITTED AS SHOWN

SUBMITTED AS NOTED

SEE ATTACHED FOR
SUBMITTED MODIFICATION



TECHNICAL DATA

- DECK MOUNTED DUAL HEAD EYE/FACE/BODY SPRAY
- HIGH IMPACT ABS PLASTIC SPRAY HEADS IN HIGH VISIBILITY YELLOW
- INTEGRAL DUST COVERS FOR SPRAY HEADS THAT RELEASES WHEN VALVE IS ACTIVATED
- SQUEEZE TO ACTIVATE VALVE THAT STAYS OPEN UNTIL MANUALLY CLOSED
- HIGH VISIBILITY EMERGENCY SIGN (NOT SHOWN)
- MEETS ANSI STANDARD Z358.1
- NON-FINISH ONLY (NF)

DATE: 02-12-96

BY: TSW

CHK'D:

APP'D:

REV:

9305

VOIDED DATA. (0192-1)

IS ASSUMED FOR USE OF SUPERCEDED OR
ILITY

ARE SUBJECT TO CHANGE. NO RESPONSIB

ROUGHING IN DIMENSIONS MAY VARY AND