

CHICAGO[®] FAUCETS

2100 SOUTH CLEARWATER DRIVE
DES PLAINES, ILLINOIS 60018-5999

FITTING NO.

983-909AGV

SUBMITTED MODEL NO.

JOB NAME

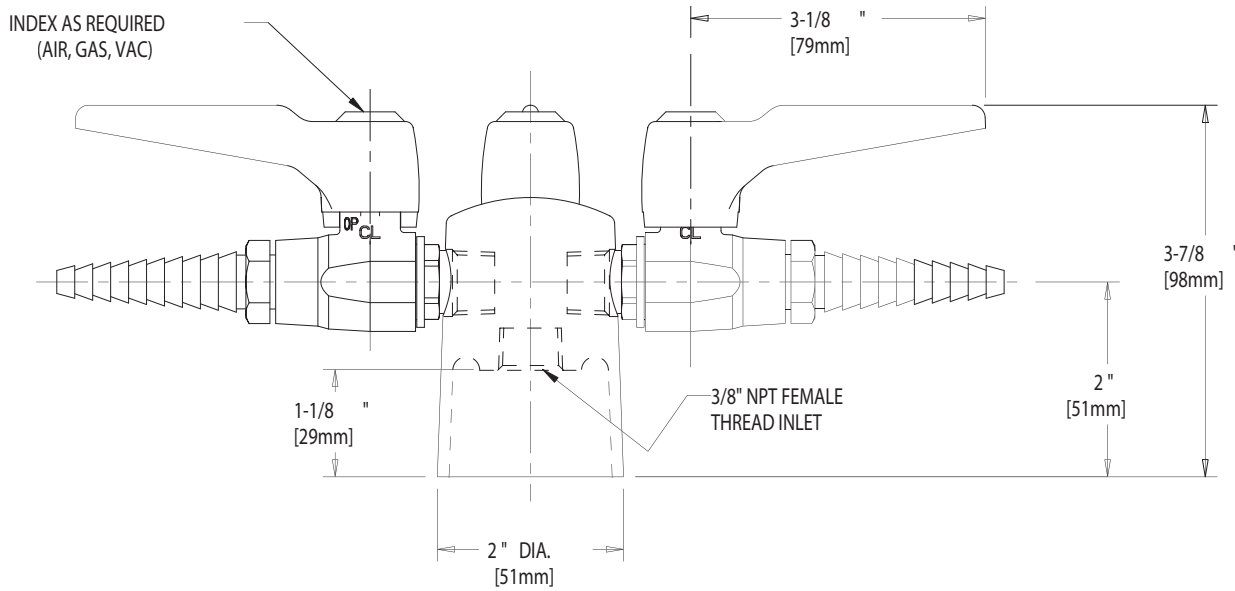
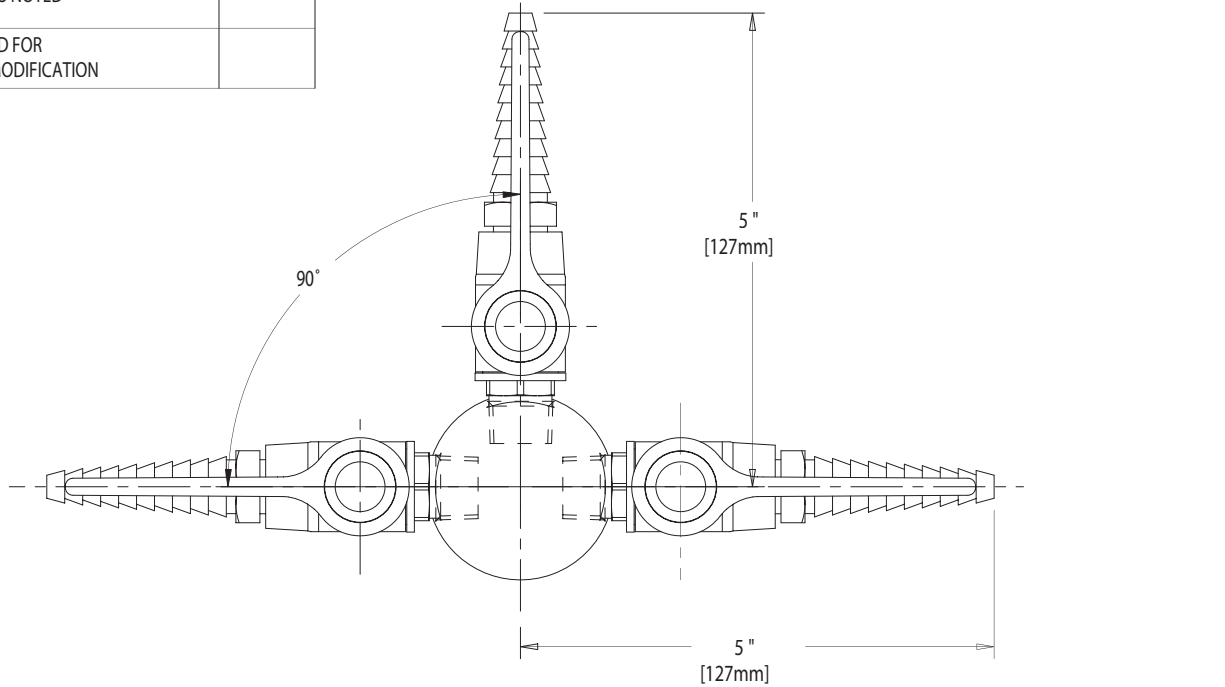
ITEM NO.

SUBMITTED AS SHOWN

SUBMITTED AS NOTED

SEE ATTACHED FOR
SUBMITTED MODIFICATION

IS ASSUMED FOR USE OF SUPERCEDED OR VOIDED DATA. (0192-1)



ROUGHING IN DIMENSIONS MAY VARY AND ARE SUBJECT TO CHANGE. NO RESPONSIBILITY

DIMENSIONS IN INCHES AND [MILLIMETERS].

TECHNICAL DATA

- DECK MOUNTED TURRET
- 909 GAS BALL VALVE
- SERRATED NOZZLE OUTLET
- LEVER HANDLE WITH INDEX BUTTON (SPECIFIED INDEX)
- FOR USE WITH 0.5-125 PSI WORKING PRESSURE
- POLISHED CHROME OR AS SPECIFIED

- ANSI Z21.15-1997
- CGA9.1-M97

DATE: 05-03-01

BY: JAR

CHK'D:

APP'D:

REV:

983-909AGV