



Wall Hung Lavatory Vitreous China

FEATURES

- **1412V Harwich™**

1412V Harwich™ (4" centerset) vitreous china lavatory with contoured rectangular basin, front overflow, two soap depressions and concealed hanger. Drilled for carrier with concealed arms.

- **1412S Harwich™**

1412S Harwich™ (8" centerset) vitreous china lavatory with contoured rectangular basin, front overflow, two soap depressions and concealed hanger. Drilled for carrier with concealed arms.

- **14121H Harwich™**

14121H Harwich™ (one hole centerset) vitreous china lavatory with contoured rectangular basin, front overflow, two soap depressions and concealed hanger. Drilled for carrier with concealed arms.

- **14122H Harwich™**

14122H Harwich™ (2 hole centerset 8"centers) vitreous china lavatory with contoured rectangular basin, front overflow, two soap depressions and concealed hanger. Drilled for carrier with concealed arms.

Supports: *Built-in wall or chair carrier with concealed arms. (Wall hanger supplied with lavatory.)

Trim:

Waste:

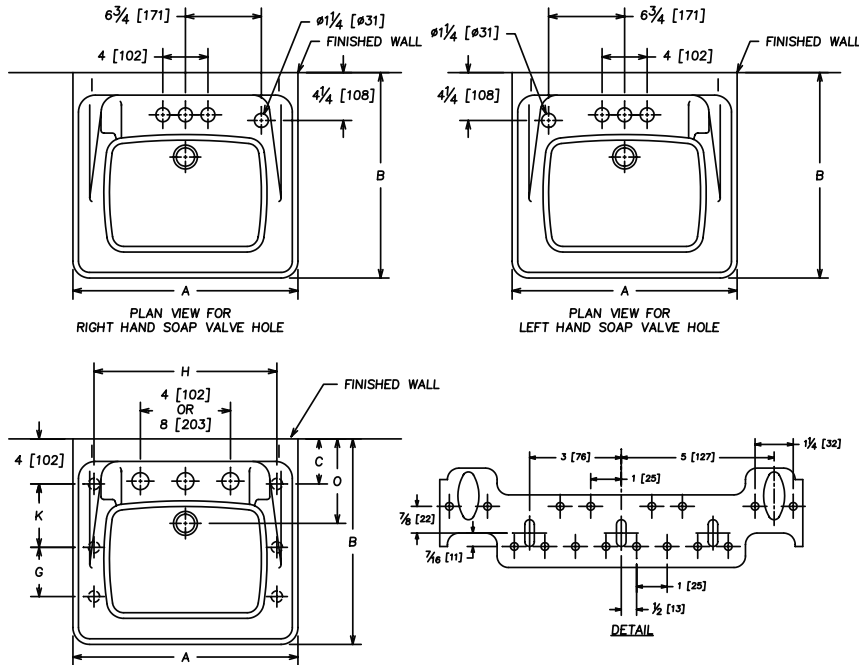
Supplies:

Trap:

NOTES

- Fixture conforms to ANSI/ASME A112.19.2M standard.
- Size: Lavatory 18" x 15", Basin 13 ¼" x 7"
Lavatory 20" x 18", Basin 14 ½" x 10"
Lavatory 24" [610] x 21", Basin 16 ⅝" x 10 ½"
- Fixture complies with Americans With Disabilities Act when mounted at rim height of 34" maximum.
- Built-in wall or chair carrier furnished by others.
- Not for use with carrier arm installation when punched for soap dispenser.

**ADA COMPLIANCE

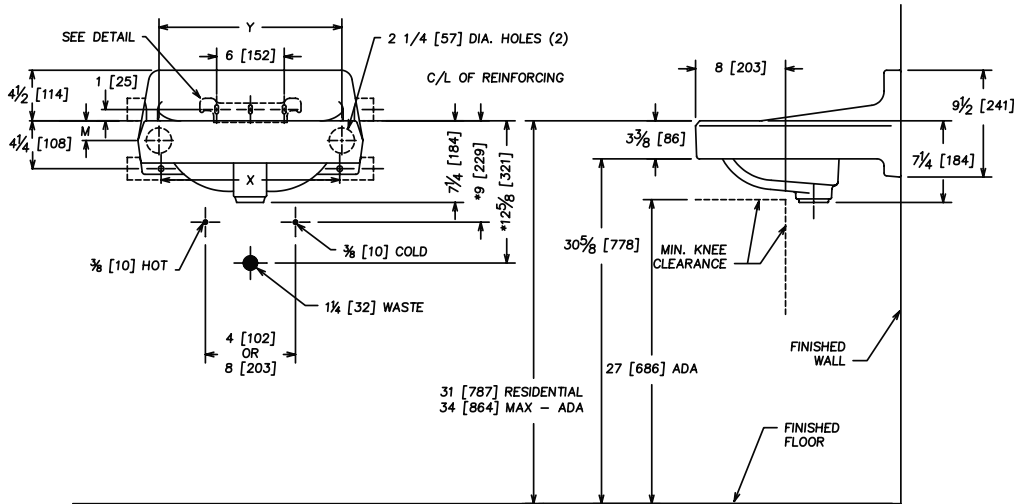


DIMENSIONS - STANDARD

SIZE	A	B	C	O	X	G	H	K	M	Y
18 x 15	18	15 1/2	3	6 3/4	15	4	15 3/4	3 7/8	1 1/2	15
20 x 18	20	18 1/4	3 3/4	7 1/2	15 7/8	4 3/8	16 1/4	5 5/8	1 3/4	16 1/4
24 x 21	24	21	4	8 3/4	19 3/4	7 1/8	19 1/2	5 5/8	1 3/4	19 1/2

DIMENSIONS - MILLIMETERS

SIZE	A	B	C	O	X	G	H	K	M	Y
457 x 381	457	394	76	171	381	102	400	98	38	381
508 x 457	508	464	95	191	403	111	413	143	44	413
610 x 533	533	533	102	222	503	181	495	143	44	495



NOTE: * SUGGESTED DIMENSION-VARIABLE DEPENDING UPON TYPE OF SUPPLY AND WASTE.

** FIXTURE COMPLIES WITH AMERICANS WITH DISABILITIES ACT WHEN MOUNTED AT RIM HEIGHT OF 34" [864] MAXIMUM.

ROUGHING-IN DIMENSIONS FOR CHAIR CARRIER SHOULD BE OBTAINED DIRECT FROM MANUFACTURER OF CARRIER. 18 X 15 SIZE REQUIRES 3/8" [10] OFFSET BRACKET ARMS. ALL ANCHOR HOLES MUST BE USED WITH WALL HANGER TO INSURE PROPER INSTALLATION.

NOT FOR USE WITH CARRIER ARM INSTALLATION WHEN PUNCHED FOR SOAP DISPENSER