



**Low Consumption
Closet Combination**
Vitreous China

FEATURES

• **3835 Economiser®**

Bowl: 3825 Economiser® (1.6 gpf / 6.0 lpf), direct-fed jet, siphon-assisted blow-out action with elongated rim bowl with bolt caps.

Tank: 3612 Economiser® 12" rough-in tank containing PF/2 pressurized vessel with built-in pressure regulator, backflow preventer and chrome plated trip lever.

Supply:

Seat:

Color:

NOTES

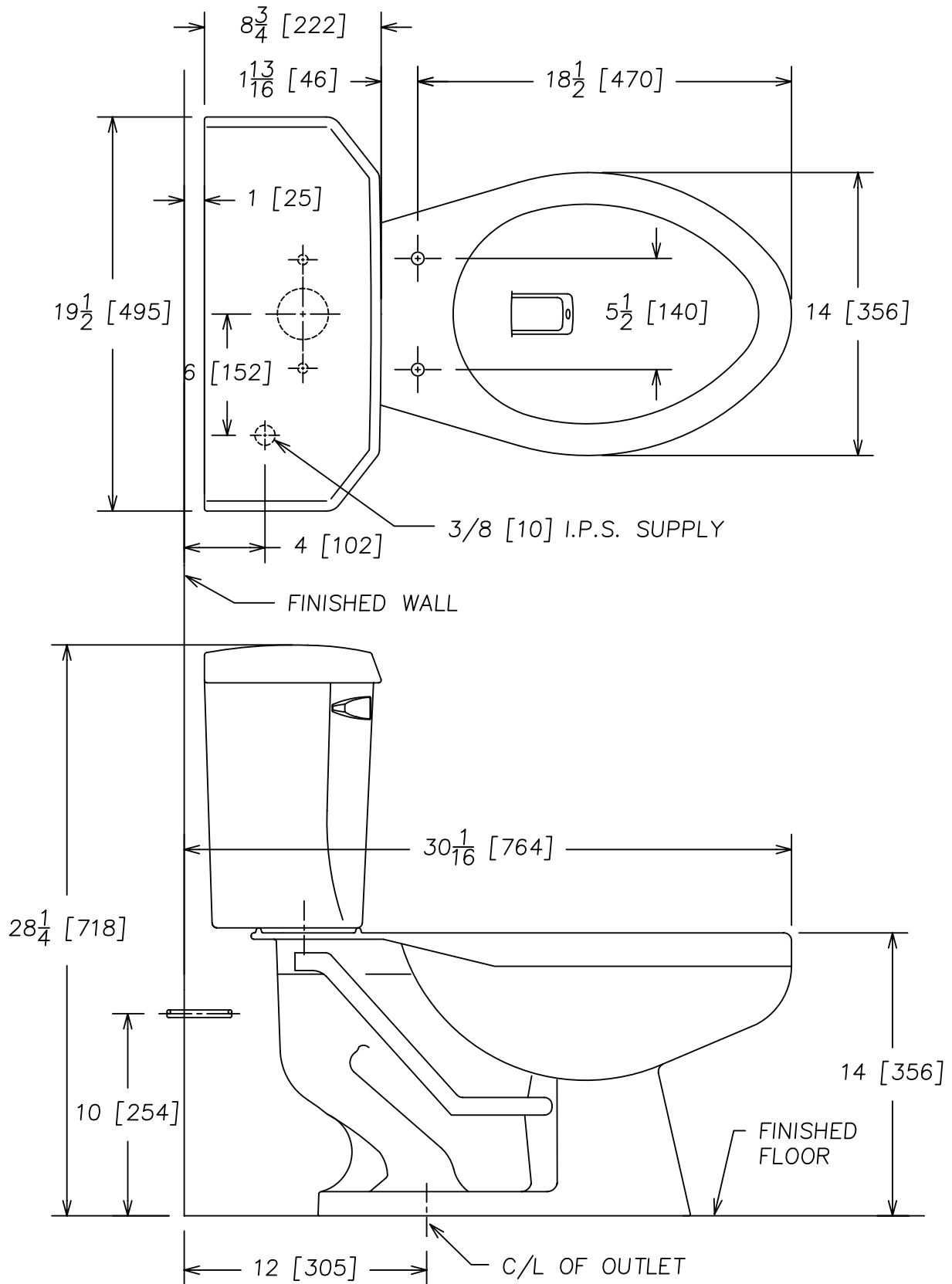
- Fixture conforms to ANSI/ASME A112.19.2M standard.
- Fully glazed trapway.
- Also available with right hand trip lever tank model number 3613.
- No special or oversized supply lines needed.

WATER ECONOMY FACTS

Average Gallons Per Flush	25 PSI	50 PSI	80 PSI
3835 Elongated Rim	1.60	1.57	1.60
TRAPWAY.....	2"		
WATER SURFACE.....	11 1/2" x 9 3/4"		
WATER SEAL.....	2 5/8"		



12" Rough-In Low Consumption Combination
with PF/2 PRESSURIZED VESSEL



IMPORTANT: Roughing-in dimensions may vary 1/2" and are subject to change or cancellation without prior notice.
No responsibility is assumed for use of superseded or voided leaflets.