



**17 1/4" High, Low Consumption  
Water Closet Bowl**  
Vitreous China

**FEATURES**

• **3H701 Hymont™**

**Bowl:** 3H701 Hymont™ (1.6 gpf / 6.0 lpf), 17 1/4" high, vitreous china elongated rim, siphon action, 1 1/2" top spud bowl; bolt caps.

**Valve:** \*Flushvalve with vacuum breaker, 1" angle screwdriver stop and flush connection. Suggested (1.6 gpf / 6.0 lpf) flushvalves are:

- Sloan "Royal" #111
- Delany "Flushboy" #F402-1.6
- Zurn "Aquaflush" #Z-6000-WS-1

**Supply:**

**Seat:**

**Color:**

**NOTES**

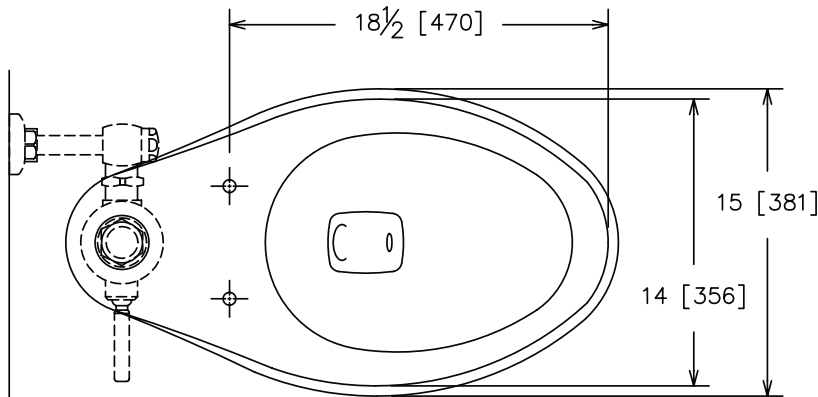
- Fixture conforms to ANSI/ASME A112.19.2M standard.
- \*\*For efficient operation of the bowl, a minimum flowing water pressure of 25 P.S.I. is required at the valve.
- Fixture complies with Americans With Disabilities Act.
- Fully glazed trapway.

**WATER ECONOMY FACTS**

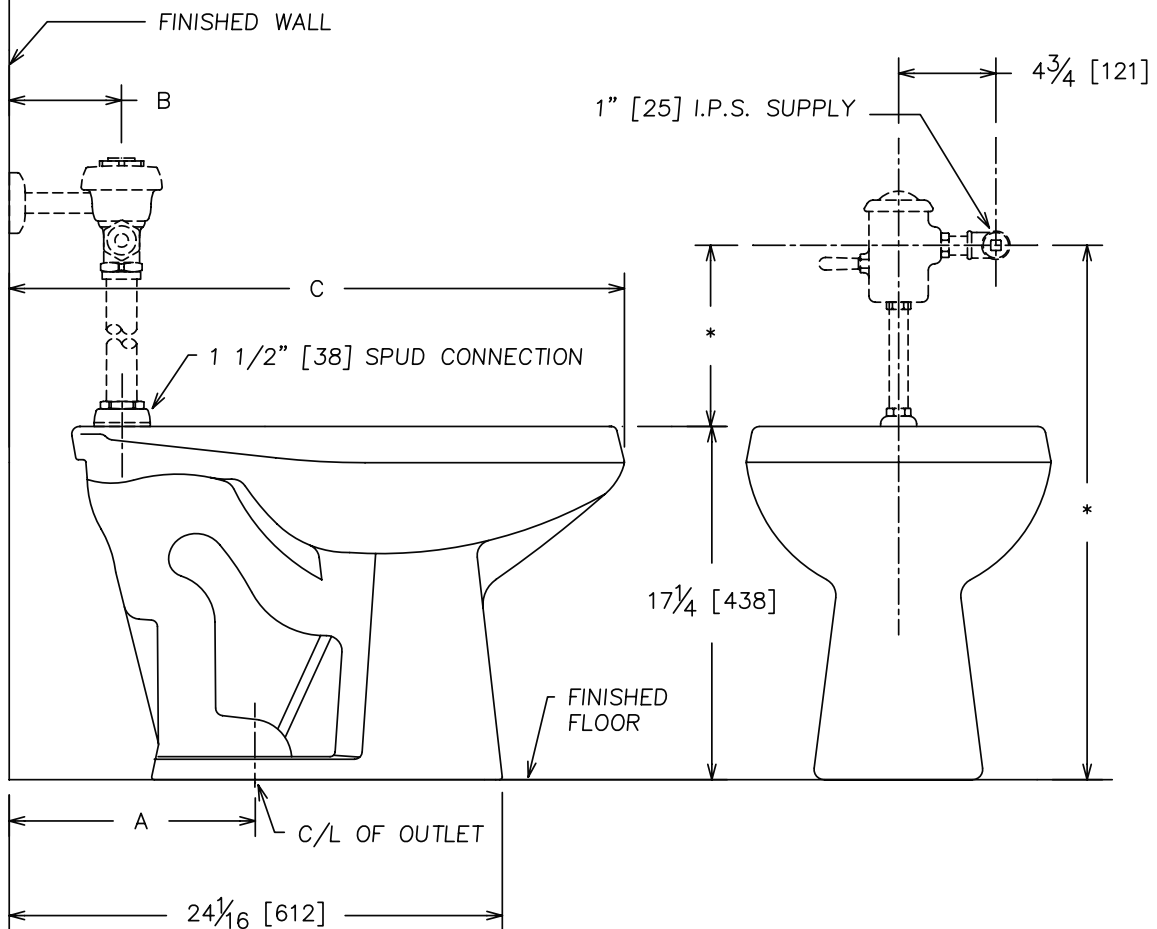
Average Gallons Per Flush	**25PSI	50 PSI	80 PSI
3H701 Elongated Rim	1.42	1.46	1.53
TRAPWAY.....	2"		
WATER SURFACE.....	9" x 8"		
WATERSEAL.....	3"		



\* Not furnished by CR/PL, L.L.C. Description for specification purposes only.



ROUGH-IN	A	B	C
10" [254]	10" [254] MIN.	3 1/2" [89]	28 1/16" [713]
12" [305]	12" [305]	5 1/2" [140]	30 1/16" [764]



NOTE: \* VARIABLE-CHECK WITH MANUFACTURER OF FLUSHVALVE FOR PROPER ROUGHING-IN DIMENSION.

**IMPORTANT:** Roughing-in dimensions may vary 1/2" and are subject to change or cancellation without prior notice. No responsibility is assumed for use of superseded or voided leaflets.