



**Siphon Jet Wall Hung Urinal**  
*Vitreous China*

**FEATURES**

- 7309 Manhattan™

*7309 Manhattan™ (1.0 gpf / 3.8 lpf), vitreous china wall hung, siphon-jet action urinal with integral trap, 3/4" top inlet, 14" lip, 2" I.P.S. female outlet connection.*

*Valve:\* Flushvalve with vacuum breaker, 1" angle screwdriver stop and flush connection. Suggested (1.0 gpf / 3.8 lpf) flushvalves are:*

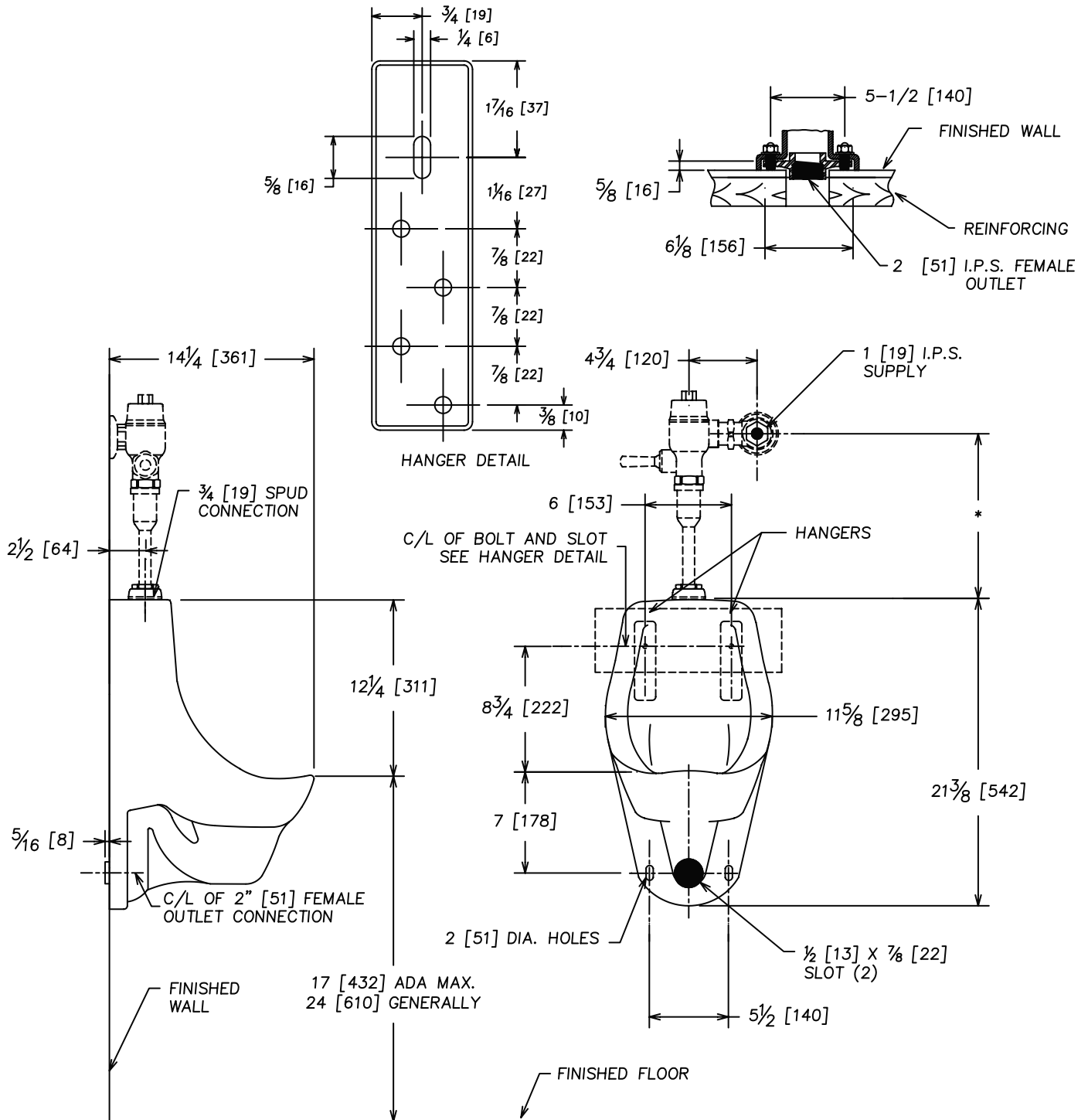
Sloan "Royal"	#186-1
Delany "Flushboy"	#F451-1
Zurn "Aquaflush"	#Z-6003-WS1

*Support: Wall mounted with supplied concealed hangers and supporting bolts*

**NOTES**

- Fixture conforms to ANSI/ASME A112.19.2M standard.
- For efficient operation of the urinal, a minimum flowing water pressure of 15 P.S.I. is required at the valve.
- ADA Compliant when mounted at 17" maximum height.





NOTE: \* VARIABLE-CHECK WITH MANUFACTURER OF FLUSHVALVE FOR PROPER ROUGHING-IN DIMENSION.

\*\* FIXTURE COMPLIES WITH AMERICANS WITH DISABILITIES ACT WHEN MOUNTED AT RIM HEIGHT OF 17".



Universal-Rundle

**IMPORTANT:** Roughing-in dimensions may vary 1/2" and are subject to change or cancellation without prior notice. No responsibility is assumed for use of superseded or voided leaflets.