



**Washout Wall Hung Urinal**  
Vitreous China

**FEATURES**

• **7397 Cromwell™**

7397 Cromwell™ vitreous china 18" [457] wide (1.0 gpf / 3.8 lpf), vitreous china, washout wall urinal with integral extended shields, 14" [356] lip flushing rim and trap, 3/4" [19] top spud, 2" [51] I.P.S. female outlet connection.

**Valve:**\* Flushvalve with vacuum breaker, 1" [25] angle screwdriver stop and flush connection. Suggested (1.0 gpf / 3.8 lpf) gallon flushvalves are:

Sloan "Royal"	#186-1
Delany "Flushboy"	#F451-1
Zurn "Aquaflush"	#Z-6003-WS1

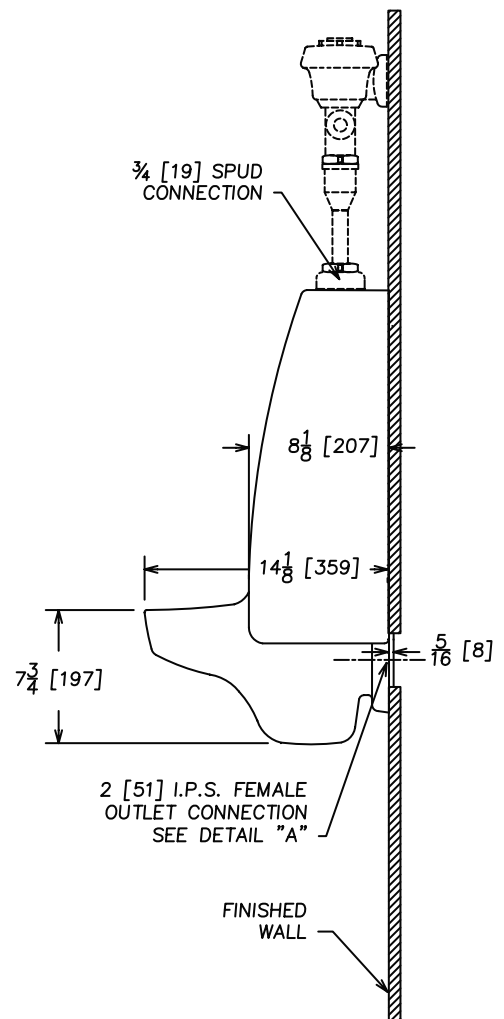
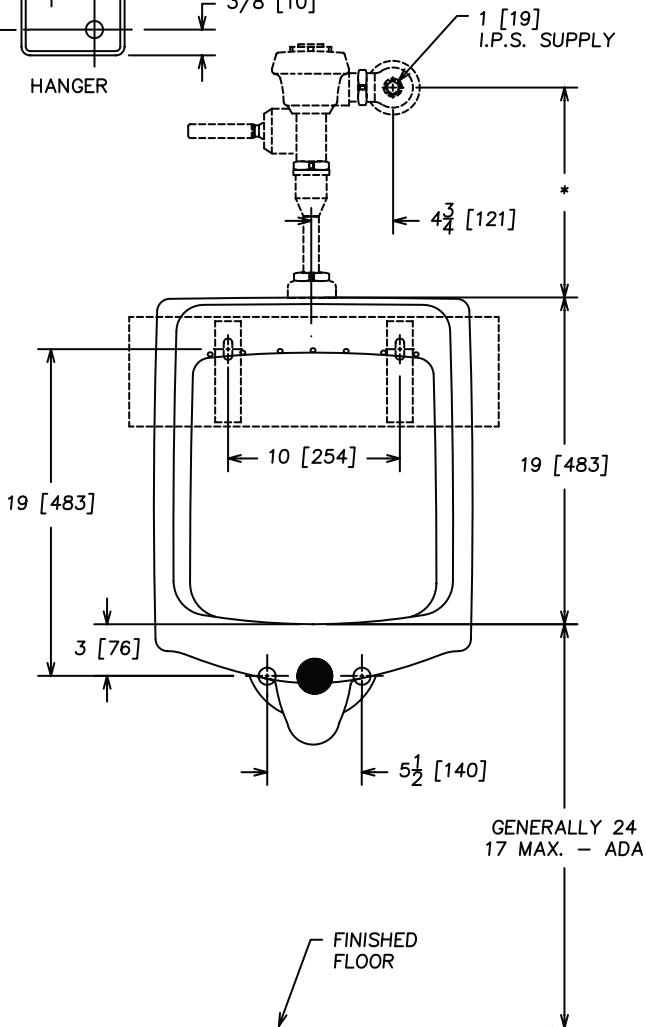
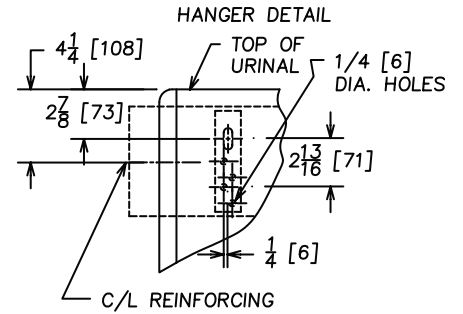
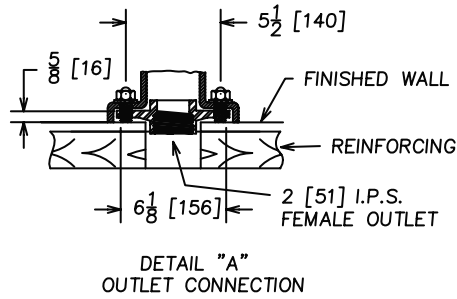
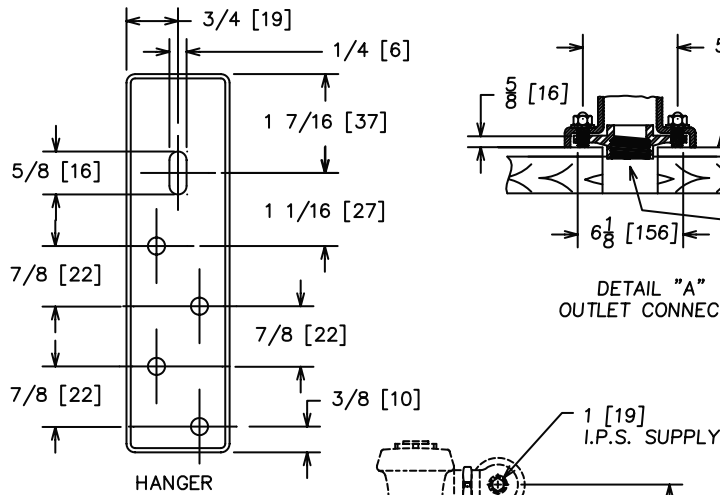
**Support:** Wall mounted with supplied concealed hangers and supporting bolts

**Options:** Stainless steel strainer available upon request.

**NOTES**

- Fixture conforms to ANSI/ASME A112.19.2M standard.
- For efficient operation of the urinal, a minimum flowing water pressure of 15 P.S.I. is required at the valve.
- ADA Compliant when mounted at 17" [432] maximum height.





NOTE: \* VARIABLE - CHECK WITH MANUFACTURER OF FLUSHVALVE FOR PROPER ROUGHING-IN DIMENSION.  
\*\* FIXTURE COMPLIES WITH AMERICANS WITH DISABILITIES ACT WHEN MOUNTED AT RIM HEIGHT OF 17" [432].

**IMPORTANT:** Roughing-in dimensions may vary 1/2" [13] and are subject to change or cancellation without prior notice. No responsibility is assumed for use of superseded or voided leaflets.