



## Barrier-Free Shower Module One Piece Acrylic

### FEATURES

- **A 3636.01F R/L**

The unit is molded with a shampoo/soap shelf along the back wall. Shower modules shall be pre-drilled for a valve and a hand held shower head when factory supplies components. All units have an anti-skid floor treatment.

The unit shall be installed in a pit,  $\frac{7}{8}$ " deep so that the finished floor will be level with the top of the threshold.

Units must be set in a mortar base leveled and any clearances between the pit opening and the unit be filled with mortar. Shimming is necessary. It is recommended that a floor drain be located near the entrance to the shower.

The factory supplied components are to include one stainless steel horizontal grab bar, two molded shampoo shelves in corner, a fold-up wheelchair transfer seat with white phenolic bench, and a stainless steel curtain rod.

The unit is thermoformed from a solid color Lucite XL® high gloss acrylic sheet into a one piece, totally seamless unit. This unit is reinforced on the back with a composite matrix which has a backside fire rating of "A" and a flame spread of 25. The shower models are pre-drilled to accept a 2" shower drain (supplied by others).

- **A 3636.01G**

Same as above less fold-up seat. Not ADA compliant without seat.

- **A 3636.01D**

Same as above less seat and grab bar. Not ADA compliant without seat and grab bar.

### NOTES

- Anti-skid floor treatment meets performance requirements of ASTM F-462-78.
- Units conform to ANSI A-117.1 and ANSI Z-124.2; the shower also complies with the guidelines issued by ADA, US Architectural and Transportation Barriers Compliance Board (A & T.B.C.B.) and with most city, state, and national standards for barrier free, accessible shower facilities for the handicapped.
- Nominal Dimensions:     Inside: 36" x 36"  
                                      Outside: 44" x 39  $\frac{1}{4}$ "  
                                      Pit Roughing-In: 44  $\frac{1}{2}$ " x 39  $\frac{1}{2}$ "
- Factory installed components are provided with additional back reinforcements to provide code complying structural integrity and are sealed from the backside.

### OPTIONS

- Thermostatically controlled, single lever mixing valve with check stops. (T162AA)
- Pressure balanced single lever mixing valve with check stops. (180AA)
- Hand held shower with swivel fitting, 69" flexible stainless steel hose, and an in-line vacuum breaker. (H11)
- Slide guide. (For hand held shower attachment.) (H12)
- Dome Light. (ATP1)
- Solid padded vinyl seat. (PS)
- Shower Curtain. (C2)
- 2" plastic drain with chrome plated strainer. (PD2)
- 2" cast brass drain with chrome plated strainer. (H30)
- Lucite® acrylic sheet containing Microban® antimicrobial product protection. Available in white and bone only. (MBP)

Lucite is a registered trademark of INEOS Acrylics, Inc. Microban is a registered trademark of Microban Products Company, Huntersville, NC.



# ADA SHOWER

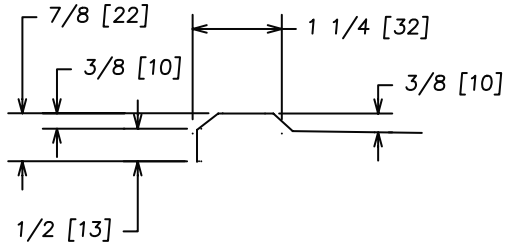
One Piece Acrylic Barrier-Free Shower Modules

## A 3636.01F

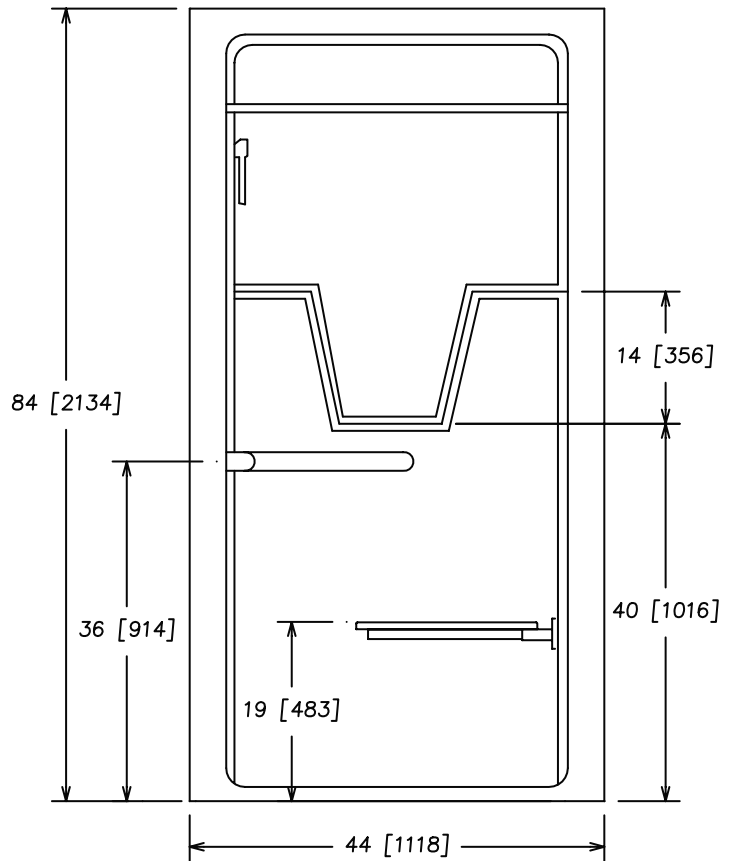
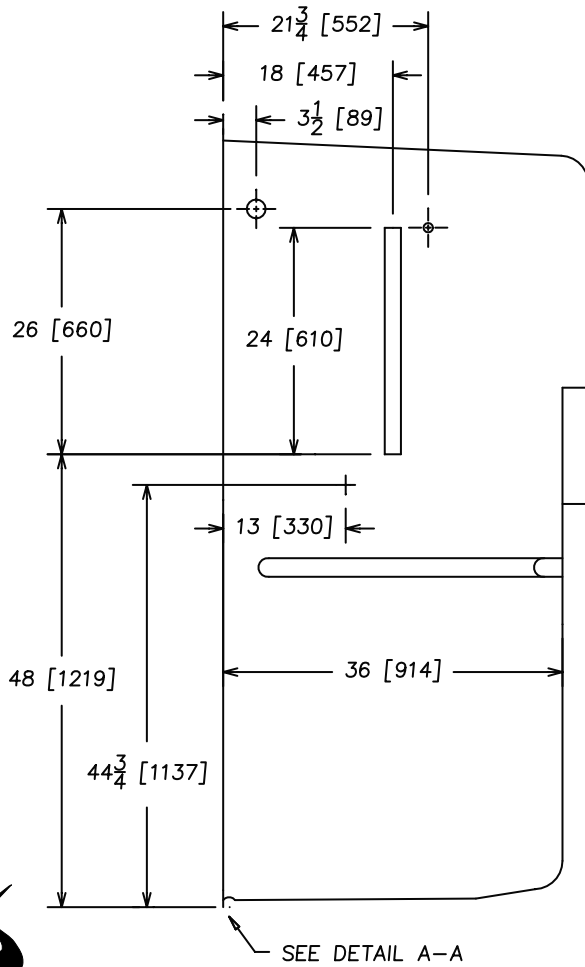
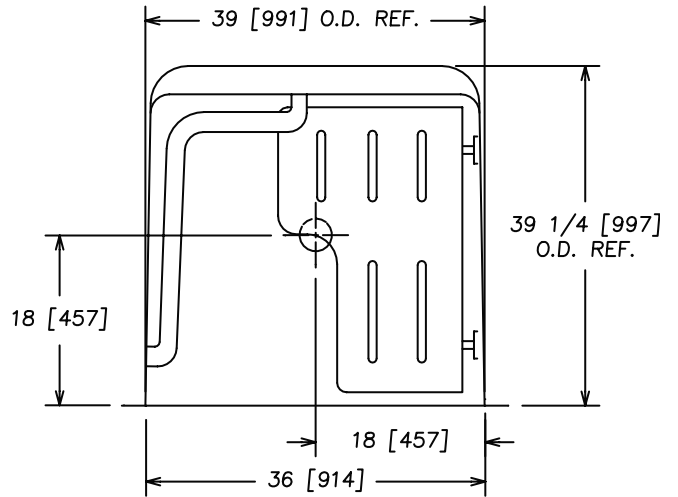


ADA COMPLIANCE

- A3636.01FR Right Hand Seat
- A3636.01FL Left Hand Seat
- A3636.01GR Right Hand Bar
- A3636.01GL Left Hand Bar



DETAIL A-A



**IMPORTANT:** Roughing-in dimensions may vary 1/2" and are subject to change or cancellation without prior notice. No responsibility is assumed for use of superseded or voided leaflets.