



One Piece 48" x 36" Bathing Suite Modular Shower Cast Acrylic

FEATURES

- **A 4836.02 R/L/N- Modular Bathing Suite**
 - 48" x 36" x 84" (nominal)
 - Integrally molded seat on right, left or no seat
 - Two toiletry shelves
 - Clear acrylic towel bar
- **A 4836.02S - Modular Bathing Steamsuite**
 - 48" x 36" x 84" (nominal)
 - A 4836.02 as listed above plus:
 - Digital timer
 - Steam Generator, 240 VAC, 20 Amp for installation within 15 feet of shower
 - Chrome steam outlet
 - Factory installed anodized aluminum door channels
 - Clear glass hinged door and side panels for field installation

The unit is thermoformed from a solid color Lucite XL® high gloss acrylic sheet into a one piece, totally seamless unit. This unit is reinforced on the back with a composite matrix which has a backside fire rating of "B" and a flame spread of 75. The shower models are pre-drilled to accept a 2" shower drain (supplied by others).

NOTES

- Dimensions: A 4836.02 48" x 36 1/4" x 84" with flange
Shipping Weight: 200 lbs.
Dimensions: A 4836.02S 48" x 36 1/4" x 84" with flange
Shipping Weight: 300 lbs.
Certifications: ANSI Z124.2
- Illustrated installation instructions included.

OPTIONS

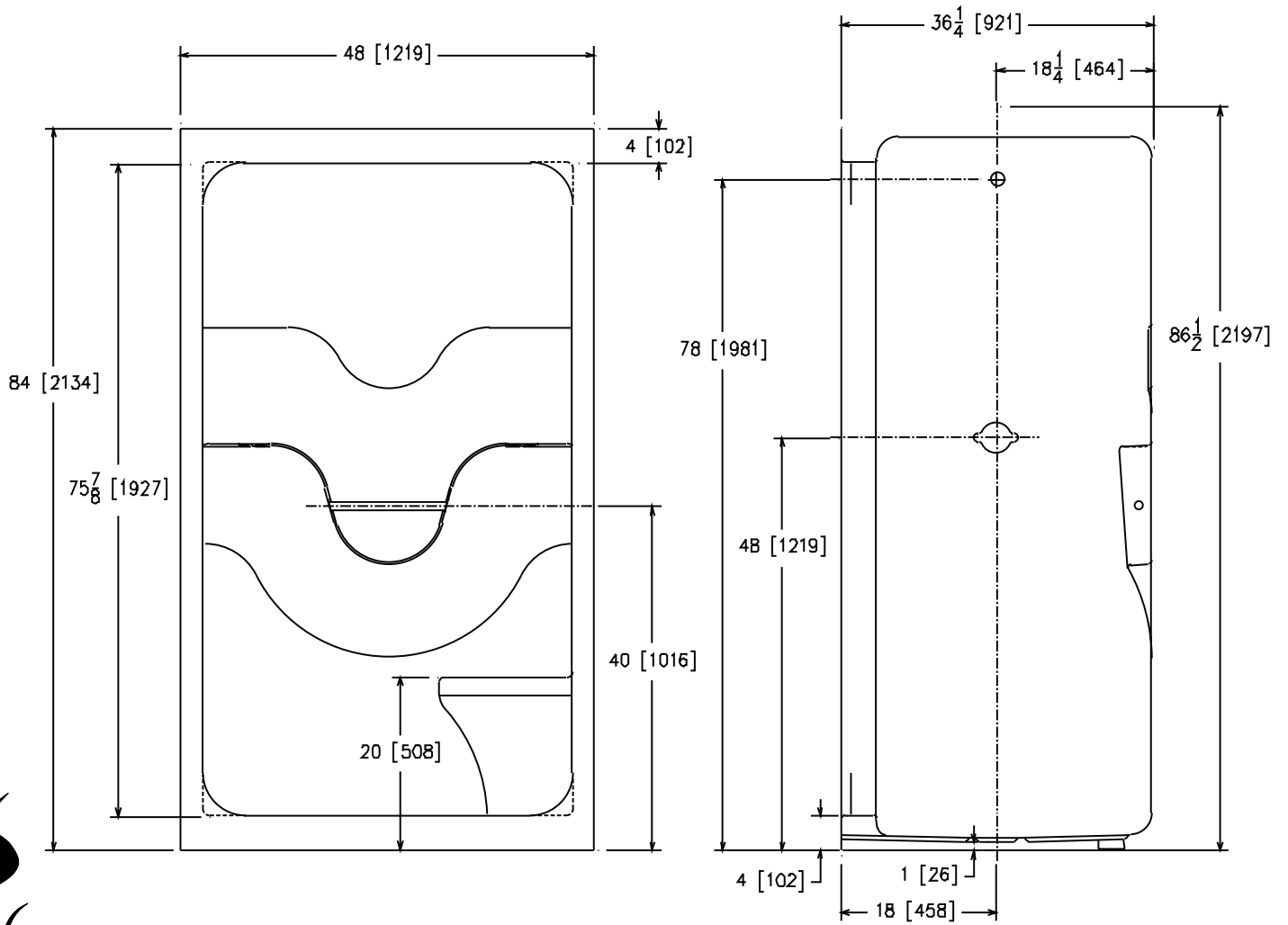
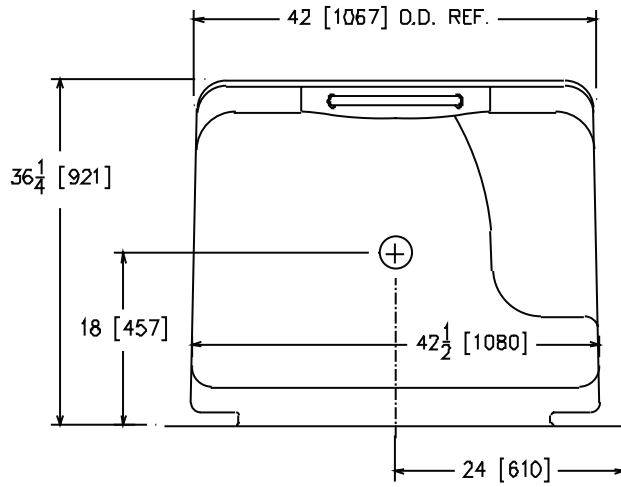
- Canopy light (factory drilled for field installation) 60 watt dome mounted shower light, white lens only. (ATP1)
- Recommended enclosures include showerite door models 830HR.
- 2" plastic drain with chrome plated strainer. (PD2)
- 2" cast brass drain with chrome plated strainer. (H30)
- Lucite® acrylic sheet containing Microban® antimicrobial product protection. Available in white and bone only. (MBP)



MODULAR BATHING SUITE

A 4836.02

One Piece Cast Acrylic Modular Shower Bathing Suite



IMPORTANT: Roughing-in dimensions may vary $\frac{1}{2}$ " and are subject to change or cancellation without prior notice.
No responsibility is assumed for use of superseded or voided leaflets.

CR/PL© 08/03 Printed in U.S.A