



One Piece Barrier-Free Shower High Gloss Gelcoat Finish

FEATURES

- **G 3636.54F Summit 36 SM**

Shower module shall be pre-drilled for valve and hand held shower when factory supplies components. All units have an anti-skid floor treatment.

The unit shall be installed in a pit 1 3/4" deep so the finished floor will be level with the top of the threshold.

The unit shall have nominal outside dimensions of 38" x 38 3/4" and nominal inside dimensions of 36" x 36". The nominal pit rough-in dimensions shall be 38 1/2" x 39 1/4". It is required that units be set in a mortar base, leveled and any clearances between the pit opening and the unit be filled with mortar. Shimming is necessary. It is recommended that a floor drain at or near the entrance to the shower be included.

The factory supplied components are to include one stainless steel wrap around grab bar and a fold up seat with white phenolic bench.

The unit is made of sanitary grade high gloss polyester gelcoat with reinforced composite matrix. This unit shall have a fire rating of "B" and a flame spread of less than 75.

- **G 3636.54G Summit 36 SM**

Same as above less fold-up seat. Not ADA compliant. Does not meet ANSI A117.1 without seat.

- **G 3636.54D Summit 36 SM**

Same as above less seat and grab bar. Not ADA compliant and does not meet ANSI A117.1 without grab bar and seat. Unit reinforced for field installation of grab bars.

NOTES

- All units shall have anti-skid floor treatment to meet performance requirements of ASTM F-462-78.
- Units conform to ANSI A-117.1 and ANSI Z-124.2; the shower also complies with the guidelines issued by ADA, US. Architectural and Transportation Barriers Compliance Board (A & T.B.C.B.) and with most city, state, and national standards for barrier free, accessible shower facilities for the handicapped.
- Factory installed components are provided with additional back reinforcements to provide code complying structural integrity and are sealed from the back side.

OPTIONS

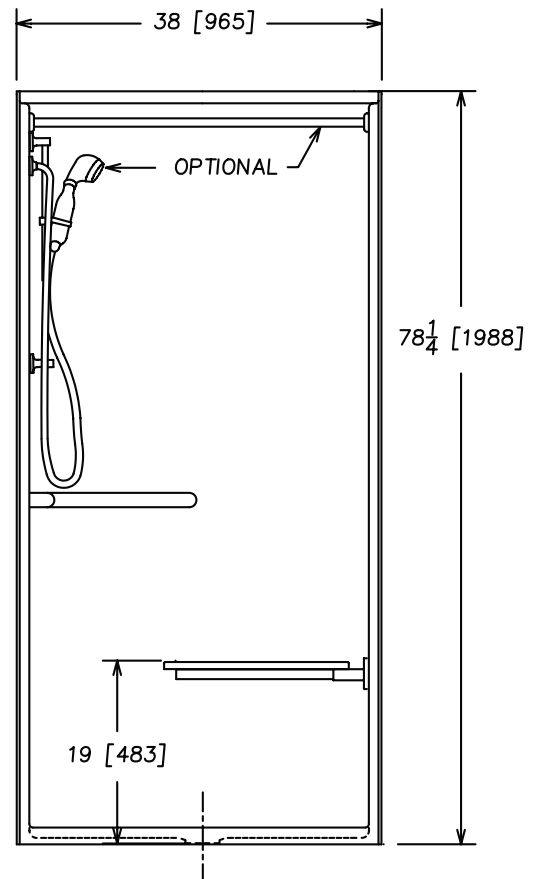
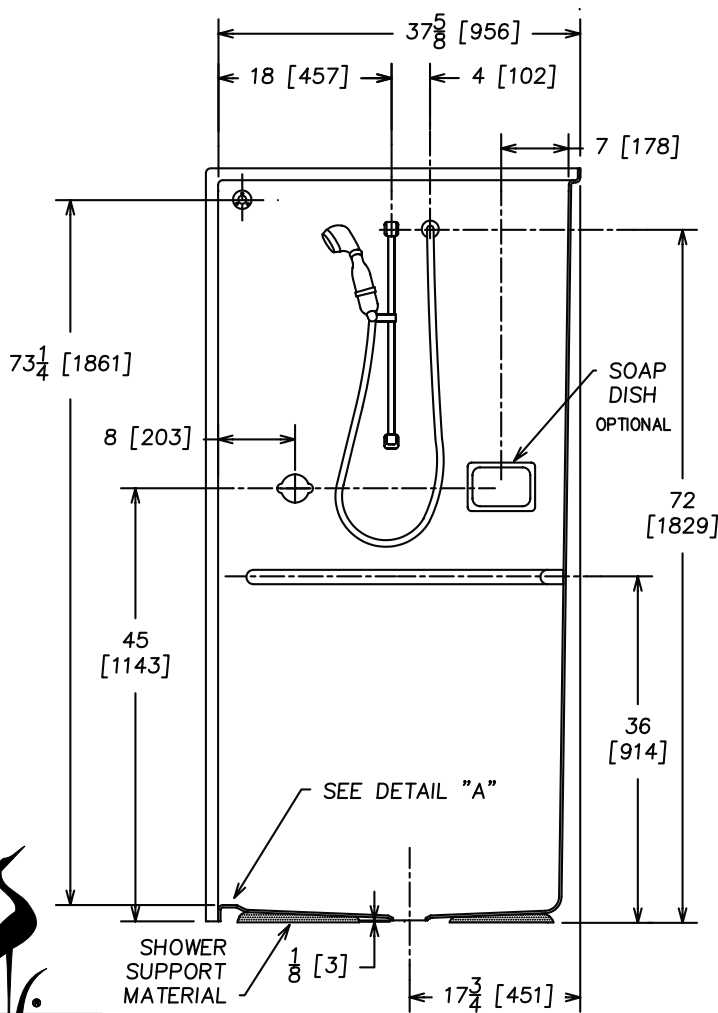
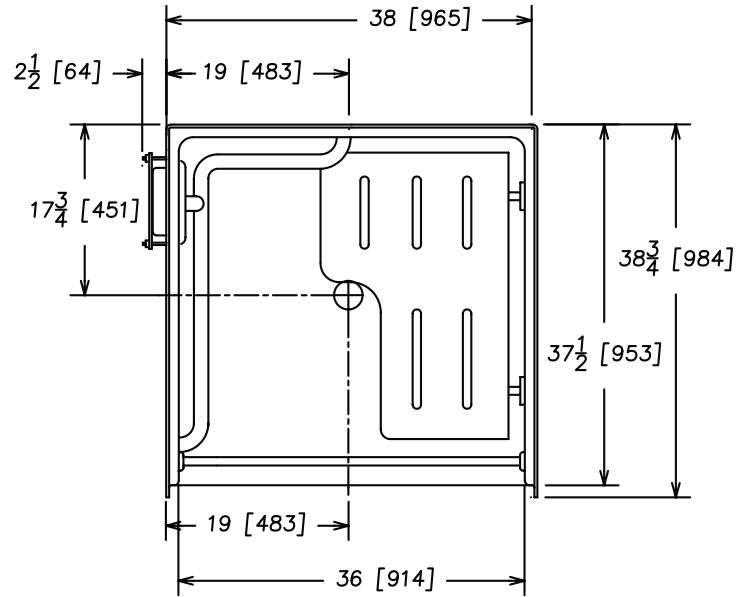
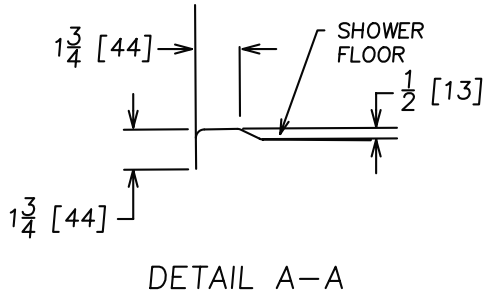
- Pressure balanced single lever mixing valve with check stops. (180AA)
- Thermostatically controlled, single lever mixing valve with check stops. (T162AA)
- Hand held shower with swivel fitting, 69" flexible stainless steel hose and an in-line vacuum breaker. (H11)
- 24" slide guide. (For hand held shower attachment) (H12)
- 2" plastic drain with chrome plated strainer. (PD2)
- 2" cast brass drain with chrome plated strainer. (H30)
- Curtain Rod. (CR)
- Shower curtain. (C2)
- Gelcoat with anti-bacterial protection. Available in white and bone only. (ABP)



SUMMIT 36 SM

One Piece Barrier-Free Shower

G 3636.54F
ADA COMPLIANCE



IMPORTANT: Roughing-in dimensions may vary $\frac{1}{2}$ " and are subject to change or cancellation without prior notice.
No responsibility is assumed for use of superseded or voided leaflets.