



One Piece Barrier-Free Shower High Gloss Gelcoat Finish

FEATURES

- **G 6030.51F R/L Summit 6030 LT**

Shower module shall be pre-drilled for valve and hand held shower when factory supplies components. All units have an anti-skid floor treatment.

The unit shall be installed in a pit $\frac{3}{4}$ " deep so the finished floor will be level with the top of the threshold.

The unit shall have nominal outside dimensions of 64" x 32 $\frac{1}{2}$ " and nominal inside dimensions of 60" x 30". The nominal pit rough-in dimensions shall be 64 $\frac{1}{2}$ " x 33". It is required that units be set in a mortar base, leveled and any clearances between the pit opening and the unit be filled with mortar. Shimming is necessary. It is recommended that a floor drain at or near the entrance to the shower be included.

The factory supplied components are to include one stainless steel wrap around grab bar and a fold up seat with white phenolic bench.

The unit is made of sanitary grade high gloss polyester gelcoat with reinforced composite matrix. This unit shall have a fire rating of "B" and a flame spread of less than 75.

- **G 6030.51G R/L**

Same as above, less seat. Not ADA compliant and does not meet ANSI A117.1 without seat or full wrap around grab bar.

NOTES

- All units shall have anti-skid floor treatment to meet performance requirements of ASTM F-462-78.
- Units conform to ANSI A-117.1 and ANSI Z-124.2; the shower also complies with the guidelines issued by ADA, US. Architectural and Transportation Barriers Compliance Board (A & T.B.C.B.) and with most city, state, and national standards for barrier free, accessible shower facilities for the handicapped.
- Factory installed components are provided with additional back reinforcements to provide code complying structural integrity and are sealed from the back side.

OPTIONS

- Pressure balanced single lever mixing valve with check stops. (180AA)
- Thermostatically controlled, single lever mixing valve with check stops. (T162AA)
- Hand held shower with swivel fitting, 69" flexible stainless steel hose and an in-line vacuum breaker. (H11)
- 24" slide guide. (For hand held shower attachment) (H12)
- 2" plastic drain with chrome plated strainer. (PD2)
- 2" cast brass drain with chrome plated strainer. (H30)
- Curtain Rod. (CR)
- Shower curtain. (C7)
- Gelcoat with anti-bacterial protection. Available in white and bone only. (ABP)

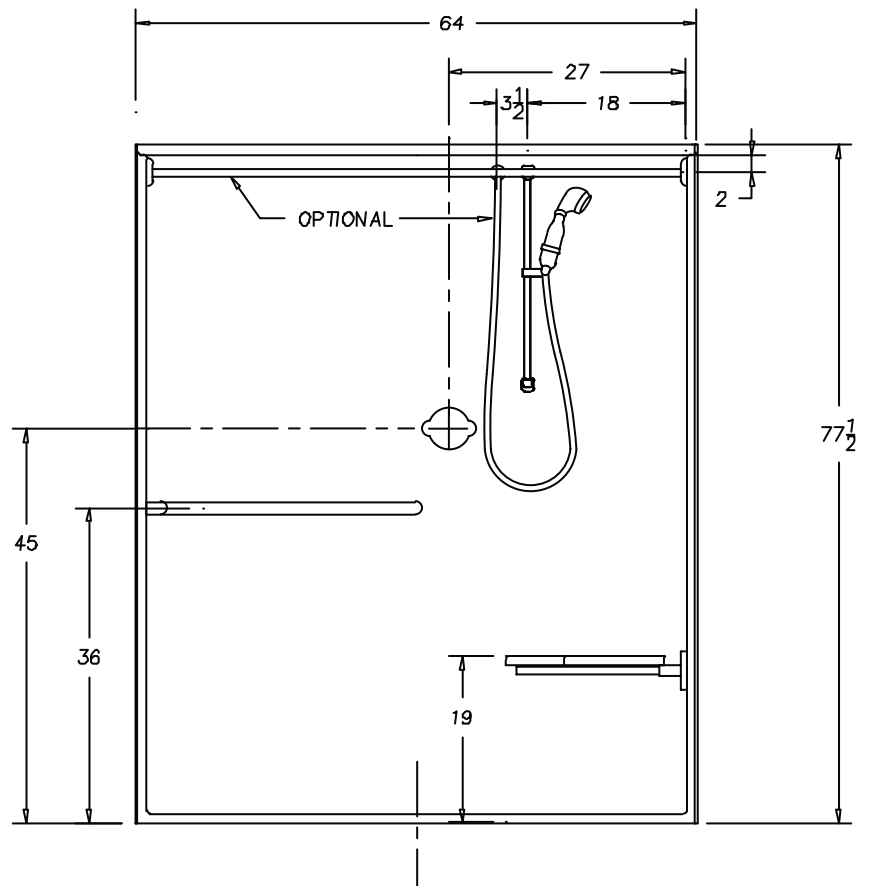
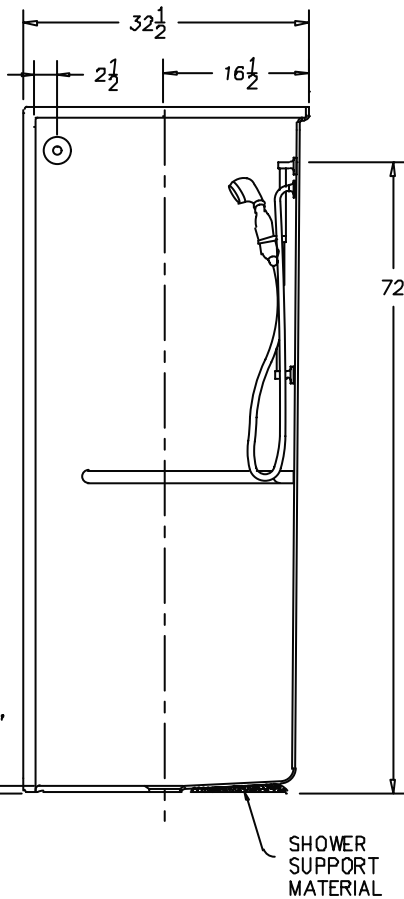
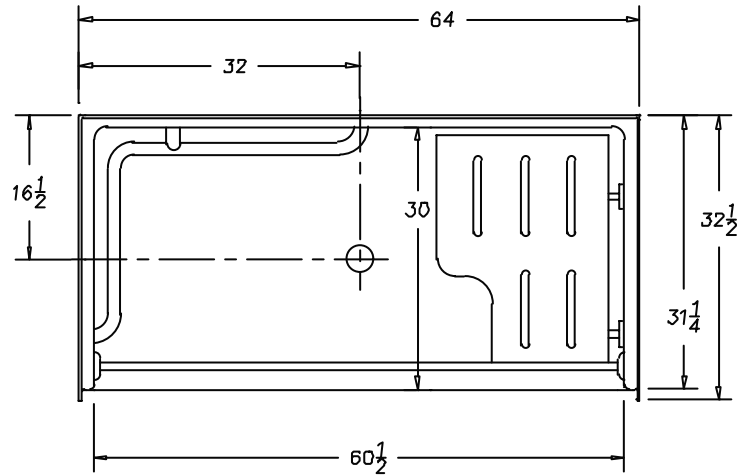


SUMMIT 6030 LT - ADA

One Piece Barrier-Free Shower

G 6030.51F
ADA COMPLIANCE

- G6030.51FR - Right Hand Seat
- G6030.51FL - Left Hand Seat
- G6030.51GR - Right Hand Grab Bar
- G6030.51GL - Left Hand Grab Bar



IMPORTANT: Roughing-in dimensions may vary 1/2" and are subject to change or cancellation without prior notice.
No responsibility is assumed for use of superseded or voided leaflets.

CR/PL© 08/03 Printed in U.S.A