

**Dayton® Single Bowl
Models D12521 and D12522**

DAYTON

SPECIFICATIONS

GENERAL

Sink bowl is seamlessly drawn of heavy gauge, nickel-bearing stainless steel.

DESIGN FEATURES

Bowl Depth: 6-1/2".

Coved Corners: Interior vertical and horizontal corners are rounded to a minimum of 2-3/4" radii.

Faucet Deck: Raised.

Finish: Exposed surfaces are polished to a satin finish with highshine bowl radius.

Underside: Undercoated as described below.

Self-rimming: Sink shall be furnished with the appropriate number of clamps to provide a secure, watertight installation.

OTHER

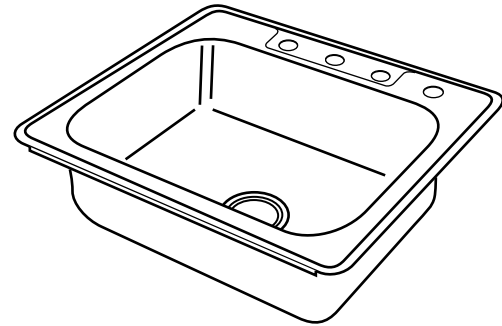
Drain Opening: 3-1/2".

Faucet Holes: 3 or 4 1-1/2" diameter faucet holes as indicated, 4" center to center.

Note: Unless otherwise specified, sink is furnished with 4 faucet holes as shown.

Recommended Minimum Cabinet Size: 30".

These sinks comply with ANSI Standard A112.19.3M.



Model D125224



These sinks are listed by the International Association of Plumbers and Mechanical Officials as meeting the requirements of the Uniform Plumbing Code.

SINK DIMENSIONS (INCHES)*

Model Number	Overall		Inside Each Bowl			Cutout in Countertop (1 1/2" Radius Corners)		No. of 1 1/2" Dia. Faucet Holes	Ship. Wt. Lbs.
	L	W	L	W	D	L	W		
	A	B	C	D					
D12521	25	21 1/4	21	15 3/4	6 1/2	24 3/8	20 5/8	3 or 4	9 3/4
D612521	25	21 1/4	21	15 3/4	6 1/2	24 3/8	20 5/8	3 or 4	51
D5012521	25	21 1/4	21	15 3/4	6 1/2	24 3/8	20 5/8	3 or 4	489
D12522	25	22	21	15 3/4	6 1/2	24 3/8	21 3/8	3 or 4	10
D612522	25	22	21	15 3/4	6 1/2	24 3/8	21 3/8	3 or 4	53
D5012522	25	22	21	15 3/4	6 1/2	24 3/8	21 3/8	3 or 4	489

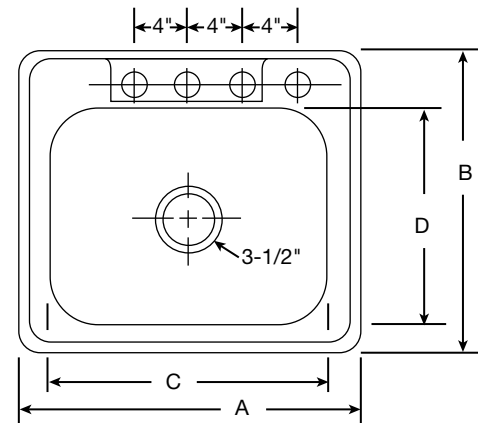
*Length is left to right. Width is front to back.

NOTE: Four faucet holes standard unless otherwise specified.

D-Prefix sinks are packed one per shipping carton. Sink bowl is fully undercoated.

D6-Prefix sinks are nested six per shipping carton. Sink bowls are sound deadened on bottom only.

D50-Prefix sinks are nested 50 per shipping carton. Sink bowls are sound deadened on bottom only.



Bowl Depth is 6-1/2"

ALL DIMENSIONS IN INCHES, TO CONVERT TO MILLIMETERS MULTIPLY BY 25.4.

In keeping with our policy of continuing product improvement, Elkay reserves the right to change product specifications without notice.

This specification describes an Elkay product with design, quality and functional benefits to the user. When making a comparison of other producers' offerings, be certain these features are not overlooked.

Elkay Manufacturing Company

www.elkay.com

2222 Camden Court
Oak Brook, IL 60523

Printed in U.S.A.
©2001 Elkay Mfg. Co.

(Rev. 4/01) 2-15D