

**Lustertone Hospitality Sink  
18 Gauge - Type 302 - Self Rim**



**SPECIFICATIONS**

**GENERAL**

Highest quality Lustertone single bowl hospitality sink is seamlessly drawn of #18 gauge, type 302 (18-8) nickel bearing stainless steel. Self-rimming.

**DESIGN FEATURES**

Bowl Depth: See chart below.

Coved Corners: 1-3/4" vertical radius.

Bowl and Faucet Deck Recess: 3/16" total recess below outside edge of sink.

Finish: Exposed surfaces are hand blended to a highlighted Lasting Beauty™ satin finish.

Underside: Fully undercoated to prevent condensation and deaden sound.

**OTHER**

Drain opening: 3-1/2".

\*BLR-15 drain opening size is 2". All other models have 3-1/2" drain opening.

Faucet Holes: Available with 0, 1, 2 or 3 faucet holes. 4" center to center. All sinks have 1-1/2" diameter faucet holes except BLR-15 and BLR-1516. BLR-15 and BLR-1516 have 1-1/4" diameter faucet holes.

Note: BLR-15 & BLR-1516 furnished with 1 faucet hole unless otherwise specified. All others furnished with 3 faucet holes unless otherwise specified.



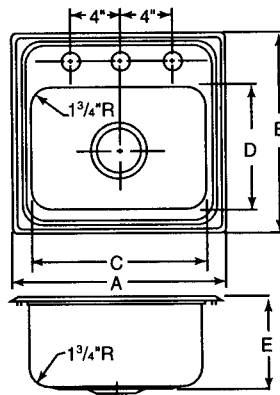
Model BLR-15-1 Shown



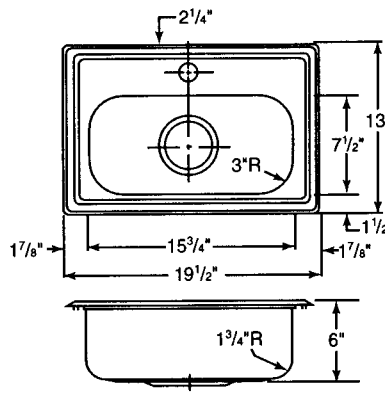
Model LMR-2013-1 Shown

**SINK DIMENSIONS**

Model Number	DIMENSIONS IN INCHES					Cutout in Counter Top (1 1/2" Radius Corners)		No. of Faucet Holes 4" Centers	Ship. Wt. Lbs.
	Length is left to right. Width is front to back.					L	W		
	Overall		Inside Bowl						
L	W	L	W	D	L	W			
*BLR-15	15	15	12	9 1/4	7	14 3/8	14 3/8	0, 1, 2 or 3	7
BLR-1516	15	15	12	9 1/4	7	14 3/8	14 3/8	0, 1, 2 or 3	7
LR-1517	15	17 1/2	12	12	7 1/2	14 3/8	16 7/8	0, 1, 2 or 3	10
LR-1716	17	16	14	10	7 1/2	16 3/8	15 3/8	0, 1, 2 or 3	12
LR-1720	17	20	14	14	7 1/2	16 3/8	19 3/8	0, 1, 2 or 3	12
LR-1918	19	18	16	11 1/2	7 1/2	18 3/8	17 3/8	0, 1, 2 or 3	13
LMR-2013	19 1/2	13	15 3/4	7 1/2	6	18 7/8	12 3/8	0, 1, 2 or 3	8 1/2



BLR-15-1 Illustrated



LMR-2013-1 Illustrated

ALL DIMENSIONS IN INCHES. TO CONVERT TO MILLIMETERS MULTIPLY BY 25.4.

In keeping with our policy of continuing product improvement, Elkay reserves the right to change product specifications without notice.

This specification describes an Elkay product with design, quality and functional benefits to the user. When making a comparison of other producers' offerings, be certain these features are not overlooked.