

**Hand Wash-Up Sink
Type 304
Models CHS1716C and CHS1716**



SPECIFICATIONS

GENERAL

CHS1716C Type 304 (18-8) stainless steel hand wash-up sink. Basin has 1-3/4" (45mm) radius covered corners. Full length 7" (178mm) high backsplash. Exposed surfaces have a brushed finish. Furnished with a wall hanger and integral stainless steel support brackets. Carries NSF International Certification.

FURNISHED COMPLETE WITH:

SUPPLY: LK499A Chrome plated gooseneck spout faucet with AE13A aerator.

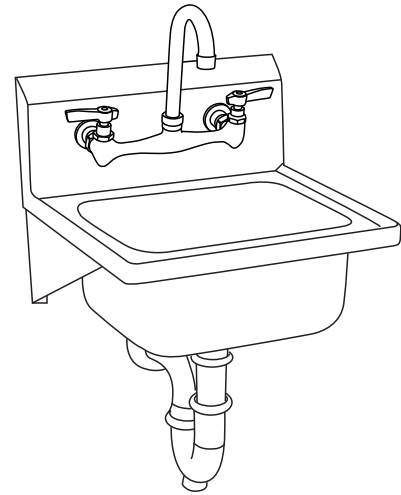
DRAIN: LK8 Chrome plated stamped brass perforated strainer grid. 1-1/2" (38mm) O.D. x 4" (102mm) tailpiece.

TRAP: LK500 Chrome plated cast brass 1-1/2" (38mm) O.D. "P" trap with cleanout, 1-1/2" (38mm) O.D. waste arm to wall, and wall flange.

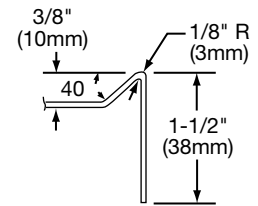
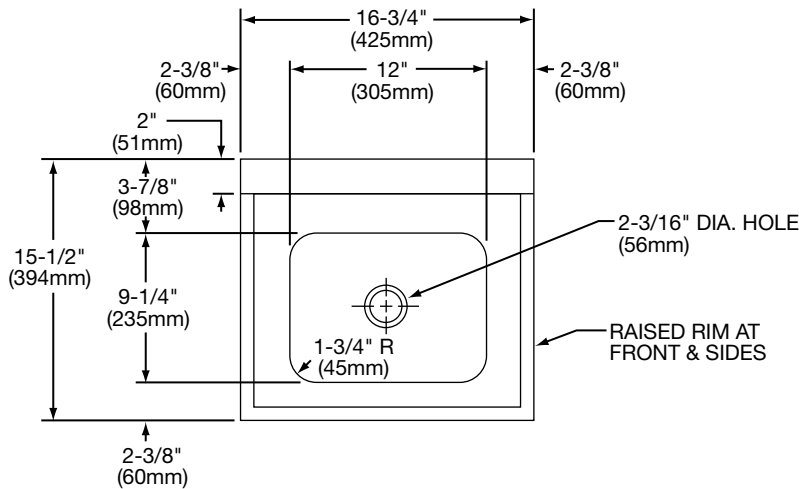
FOLLOWING MODEL DOES NOT INCLUDE FAUCET AND FITTINGS:

CHS1716

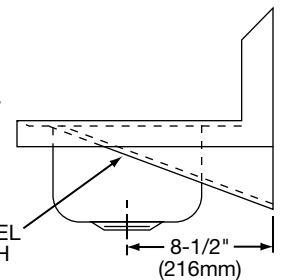
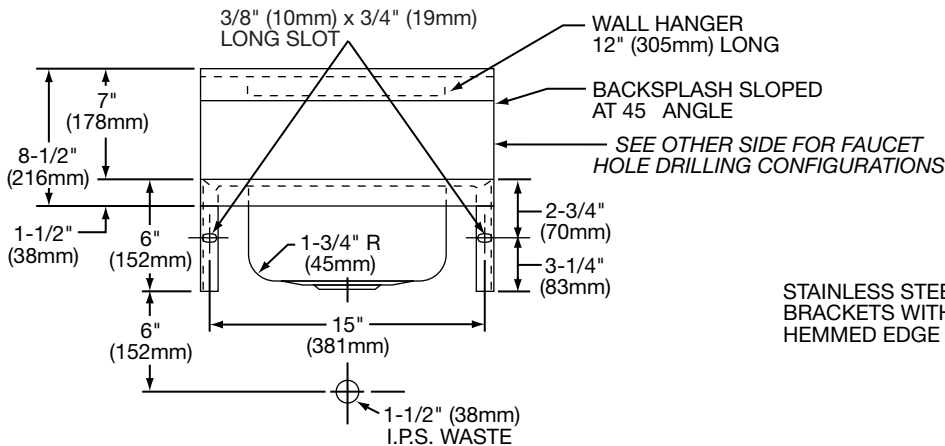
SPECIFY FAUCET DRILLINGS AND LOCATION.
(See other side for standard faucet hole drilling configurations.)



Model CHS1716C



SECTION THROUGH RIM



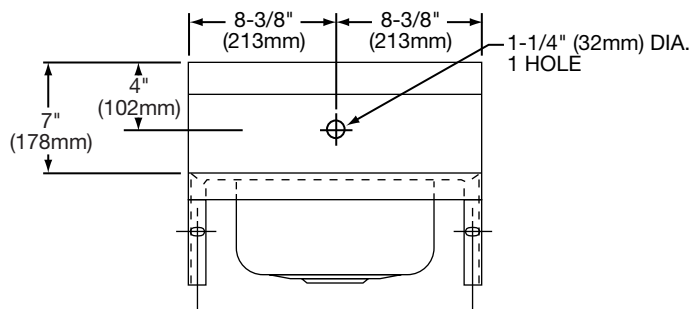
STAINLESS STEEL BRACKETS WITH HEMMED EDGE

Model CHS1716C Illustrated

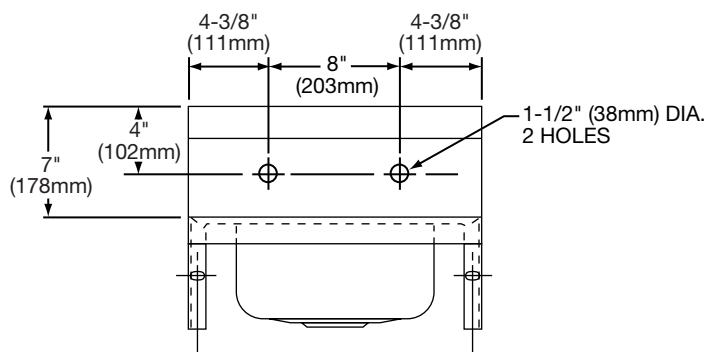
In keeping with our policy of continuing product improvement, Elkay reserves the right to change product specifications without notice.

SPECIFICATIONS

HOLE DRILLING CONFIGURATIONS



CHS17161



CHS17162