

**SPECIFICATIONS**

**GENERAL**

Good quality Celebrity sink bowl seamlessly drawn of #20 gauge, type 302 (18-8) nickel bearing stainless steel. Self-rimming.

**DESIGN FEATURES**

Bowl Depth: 7".  
 Coved Corners: 3" radius.  
 Bowl Recess: 3/16" below outside edge of sink. CR-2522 and CRS-3322 have 1/4" drop ledge.  
 Finish: Exposed surfaces machine polished to a bright finish.  
 Underside: Fully undercoated.

**OTHER**

Drain Opening: 3-1/2".  
 Note: Where choice of three or four faucet holes is indicated, four faucet holes furnished unless otherwise specified.

These sinks comply with ANSI Standard A112.19.3m.



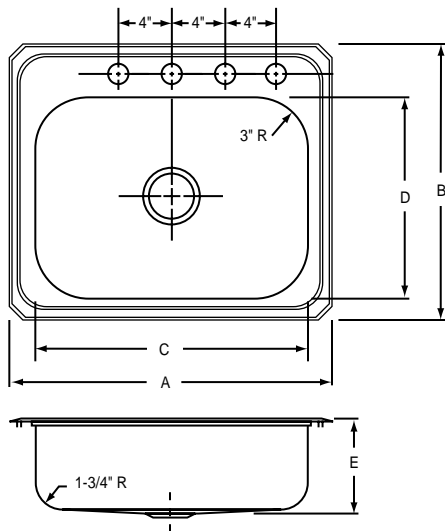
These sinks are listed by the International Association of Plumbing and Mechanical Officials as meeting the requirements of the Uniform Plumbing Code.



Model CR-2521-4 Shown

**SINK DIMENSIONS**

Model Number	DIMENSIONS IN INCHES						Cutout In Countertop (1 1/2" Radius Corners)		No. of 1 1/2" Dia. Faucet Holes 4" Centers	Ship. Wt. Lbs.
	Length is left to right. Width is front to back.									
	Overall		Inside Each Bowl			L	W			
	A	B	C	D	E					
CR-1721	17	21 1/4	14	15 3/4	7	16 3/8	20 5/8	3	9 1/2	
CR-2521	25	21 1/4	21	15 3/4	7	24 3/8	20 5/8	3 or 4	11 3/4	
CR-2522	25	22	21	15 3/4	7	24 3/8	21 3/8	3 or 4	12	
CR-3122	31	22	28	15 3/4	7	30 3/8	21 3/8	3 or 4	15 1/4	
CRS-3322	33	22	28	15 3/4	7	32 3/8	21 3/8	3 or 4	15 1/2	



ALL DIMENSIONS IN INCHES. TO CONVERT TO MILLIMETERS, MULTIPLY BY 25.4.

In keeping with our policy of continuing product improvement, Elkay reserves the right to change product specifications without notice.

This specification describes an Elkay product with design, quality and functional benefits to the user. When making a comparison of other producers' offerings, be certain these features are not overlooked.