

# SPECIFICATIONS

**GENERAL**

Highest quality. Sink bowl seamlessly drawn of #18 gauge, type 304 (18-8) nickel bearing stainless steel. Self-rimming.

**DESIGN FEATURES**

Bowl Depth: 10-1/8", 11-1/2" (DLR252212) or 12-1/8".

Coved Corners: 1-3/4" vertical and horizontal radius.

Bowl and Faucet Deck: 3/16" below outside edge of sink.

Finish: Exposed surfaces are hand blended to a lustrous highlighted satin finish.

Underside: Fully undercoated to prevent condensation and deaden sound. DLR191910 and DLR252110 underside is fully protected by heavy duty Sound Guard™ undercoating.

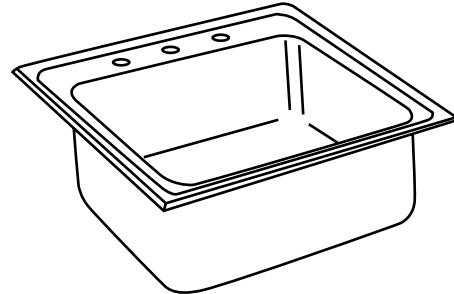
**OTHER**

Drain Opening: 3-1/2".

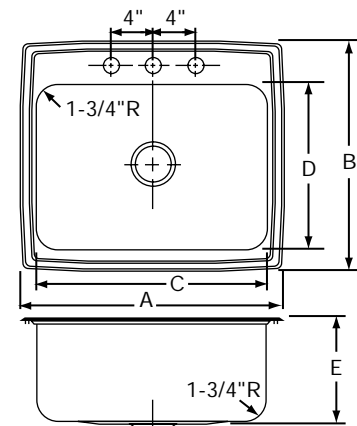
**SINK DIMENSIONS (INCHES)\***

Model Number	Overall		Inside Bowl			Cutout in Countertop (1 1/2" Radius Corners)		No. of 1 1/2" Dia. Faucet Holes 4" Center	Minimum Cabinet Size	Ship. Wt. Lbs.
	L	W	L	W	D	L	W			
	A	B	C	D	E	L	W			
DLR171610	17	16	14	10	10 1/8	16 3/8	15 3/8	1, 2, 3	21	12
DLR172010	17	20	14	14	10 1/8	16 3/8	19 3/8	1, 2, 3	21	14
DLR172210	17	22	13 1/2	16	10 1/8	16 3/8	21 3/8	1, 2, 3, OS4	21	14 3/4
DLR191910	19 1/2	19	16	13 1/2	10 1/8	18 7/8	18 3/8	1, 2, 3, OS4	24	14 3/4
DLR221910	22	19 1/2	18	14	10 1/8	21 3/8	18 7/8	1, 2, 3, 4	27	14 3/4
DLR222210	22	22	19	16	10 1/8	21 3/8	21 3/8	1, 2, 3, 4, 5	27	15
DLR222212	22	22	19	16	12 1/8	21 3/8	21 3/8	1, 2, 3, 4, 5	27	17
DLR252110	25	21 1/4	21	15 3/4	10 1/8	24 3/8	20 5/8	1, 2, 3, 4, 5	30	18
DLR252210	25	22	21	15 3/4	10 1/8	24 3/8	21 3/8	1, 2, 3, 4, 5	30	18 1/2
DLR252212	25	22	21	15 3/4	12 1/8	24 3/8	21 3/8	1, 2, 3, 4, 5	30	19
DLR312210	31	22	28	16	10 1/8	30 3/8	21 3/8	1, 2, 3, 4, 5	36	22 1/2
DLR312212	31	22	28	16	11 1/2	30 3/8	21 3/8	1, 2, 3, 4, 5	36	22 1/2

\*Length is left to right. Width is front to back.



Model DLR2522103



ALL DIMENSIONS IN INCHES, TO CONVERT TO MILLIMETERS MULTIPLY BY 25.4.

In keeping with our policy of continuing product improvement, Elkay reserves the right to change product specifications without notice.

This specification describes an Elkay product with design, quality and functional benefits to the user. When making a comparison of other producers' offerings, be certain these features are not overlooked.