

# ELKAY<sup>®</sup> SPECIFICATIONS

## Lustertone<sup>®</sup> Deep Double Bowl Sinks Model DLR Series

### GENERAL

Highest quality sink bowls seamlessly drawn of #18 gauge, type 304 (18-8) nickel bearing stainless steel. Self-rimming.

### DESIGN FEATURES

Bowl Depths: 10" (DLR291810); 10-1/8" (DLR251910, DLR331910, DLR332210, DLR372210, and DLR432210); 12-1/8" (DLR332212).

Coved Corners: 1-3/4" vertical and horizontal radius.

Bowl and Faucet Deck Recess: 3/16" below outside edge of sink.

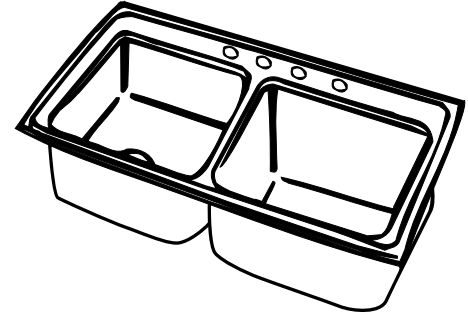
Finish: Exposed surfaces are hand blended to a lustrous highlighted satin finish.

Underside: Fully undercoated to prevent condensation and deaden sound.

### OTHER

Drain Opening: 3-1/2".

NOTE: Unless otherwise specified, sink is furnished with 4 faucet holes as shown.

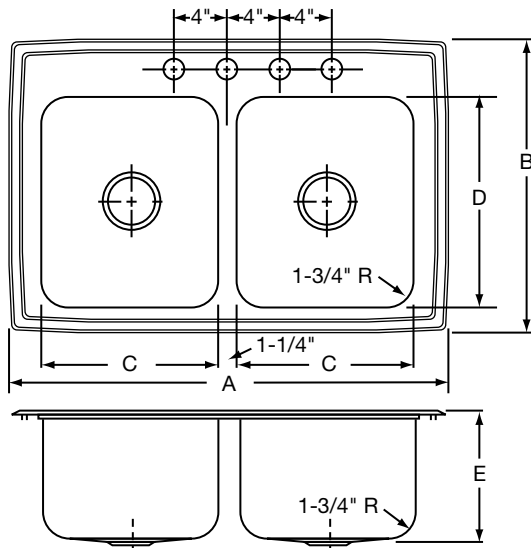


Model DLR3322104

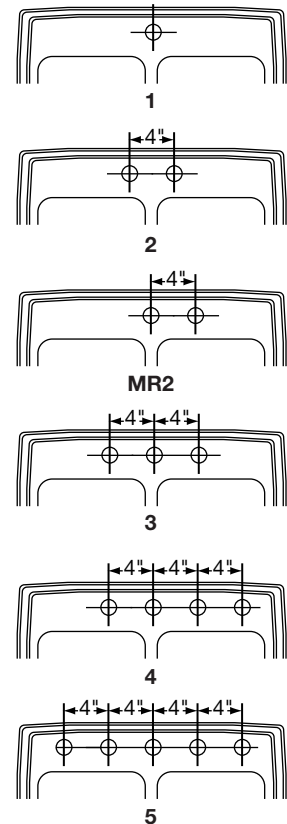
### SINK DIMENSIONS (INCHES)\*

Model Number	Overall		Inside Bowl			Cutout in Countertop (1 1/2" Radius Corners)		No. of 1 1/2" Dia. Faucet Holes 4" Center	Minimum Cabinet Size	Ship. Wt. Lbs.
	L	W	L	W	D	L	W			
	A	B	C	D	E	L	W			
DLR251910	25	19 1/2	10	14	10 1/8	24 3/8	18 7/8	1, 2, MR2, 3, 4 or 5	30	23
DLR291810	29	18	12	12	10	28 3/8	17 3/8	1, 2, MR2, 3, 4 or 5	33	22
DLR331910	33	19 1/2	14	14	10 1/8	32 3/8	18 7/8	1, 2, MR2, 3, 4 or 5	36	23
DLR332210	33	22	13 1/2	16	10 1/8	32 3/8	21 3/8	1, 2, MR2, 3, 4 or 5	36	24 3/4
DLR332212	33	22	13 1/2	16	12 1/8	32 3/8	21 3/8	1, 2, MR2, 3, 4 or 5	36	24 3/4
DLR372210	37	22	16	16	10 1/8	36 3/8	21 3/8	1, 2, MR2, 3, 4 or 5	42	29
DLR432210	43	22	19	16	10 1/8	42 3/8	21 3/8	1, 2, MR2, 3, 4 or 5	48	32 3/4
DLR432212	43	22	19	16	12 1/8	42 3/8	21 3/8	1, 2, MR2, 3, 4 or 5	48	32 3/4

\*Length is left to right. Width is front to back.



### HOLE DRILLING CONFIGURATIONS



ALL DIMENSIONS IN INCHES, TO CONVERT TO MILLIMETERS MULTIPLY BY 25.4.

In keeping with our policy of continuing product improvement, Elkay reserves the right to change product specifications without notice.

This specification describes an Elkay product with design, quality and functional benefits to the user. When making a comparison of other producers' offerings, be certain these features are not overlooked.