

SPECIFICATIONS

GENERAL

Lustertone sink with fountain. #18 gauge, type 304 (18-8) nickel bearing stainless steel, self-rimming with double ledge.

CLASSROOM/INSTITUTIONAL SINK PACKAGES

Models **DRKR2220C**, **DRKR2517C** and **DRKR3119C** feature a scratch and crack resistant stainless steel work sink, Contemporary Hi-Arc® faucet and No Lead Flexi-Guard® Bubbler. Package includes:

- (1) **LK2439** Two-handle Contemporary Hi-Arc concealed undermount faucet with 45° restricted swing spout and aerator. Outlet height: 10"; Reach: 6-1/2". No spray.
- (1) **LK1141A** No Lead Flexi-Guard® Bubbler. Pushbutton valve design bubbler meets ANSI and ADA requirements. Designed so that water never comes in contact with lead-containing materials. Flexi-Guard safety bubbler flexes on impact to prevent accidental injury when getting a drink. Built-in adjustable water volume control.
- (1) **LK35** Duo strainer.

OTHER

Drain Opening: 3-1/2".

These sinks comply with ANSI Standard A112.19.3M.



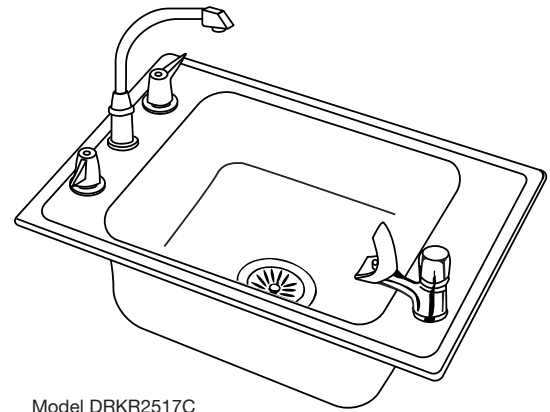
These sinks are listed by the International Association of Plumbers and Mechanical Officials as meeting the requirements of the Uniform Plumbing Code.



This faucet is ADA compliant.



This faucet is classified by Underwriters Laboratories Inc. to **ANSI/NSF61** for residential use.



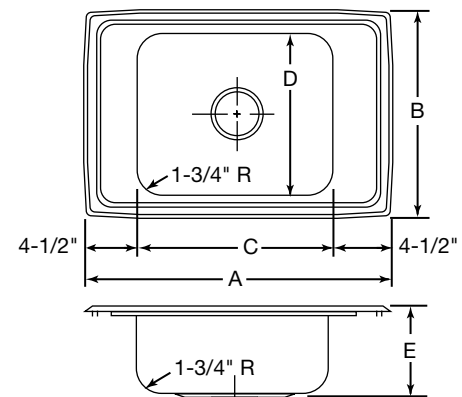
Model DRKR2517C

SINK DIMENSIONS (INCHES)*

Model Number	Overall		Inside Bowl			Cutout in Countertop (1 1/2" Radius Corners)		No. of Faucet Holes		Ship. Wt. Lbs.
	L	W	L	W	D	L	W	Left Ledge	Right Ledge	
	A	B	C	D	E	L	W			
DRKR2220C	22	19 1/2	13 1/2	16	7 1/2	21 3/8	18 7/8	3	1	22
† DRKR2220	22	19 1/2	13 1/2	16	7 1/2	21 3/8	18 7/8	3	1	13 1/2
DRKR2517C	25	17	16	13 1/2	7 1/2	24 3/8	16 3/8	3	1	21
† DRKR2517	25	17	16	13 1/2	7 1/2	24 3/8	16 3/8	3	1	13
DRKR3119C	31	19 1/2	22	16	7 1/2	30 3/8	18 7/8	3	1	27
† DRKR3119	31	19 1/2	22	16	7 1/2	30 3/8	18 7/8	3	1	18 1/2

* Length is left to right. Width is front to back.

† Unless otherwise specified, all sinks which do not have suffix "C" are **less fittings** (no faucet, bubbler or drain), but are drilled for faucet, bubbler and drain as illustrated.



ALL DIMENSIONS IN INCHES. TO CONVERT TO MILLIMETERS MULTIPLY BY 25.4.

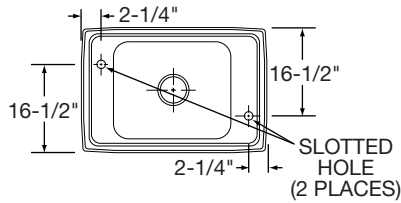
In keeping with our policy of continuing product improvement, Elkay reserves the right to change product specifications without notice.

This specification describes an Elkay product with design, quality and functional benefits to the user. When making a comparison of other producers' offerings, be certain these features are not overlooked.

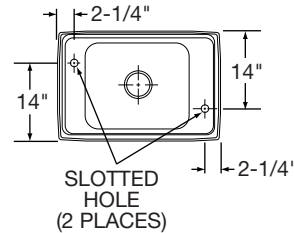
SPECIFICATIONS

HOLE DRILLING CONFIGURATIONS

2 HOLE CONFIGURATION

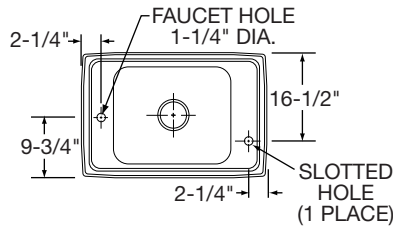


MODELS DRKR22202
DRKR31192

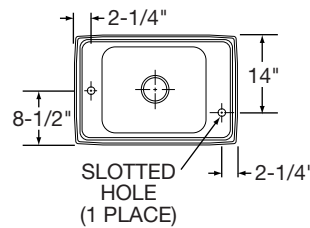


MODEL DRKR25172

2 LM (LEFT MIDDLE) HOLE CONFIGURATION

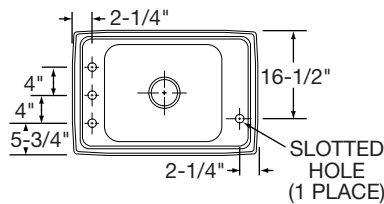


MODELS DRKR22202LM
DRKR31192LM

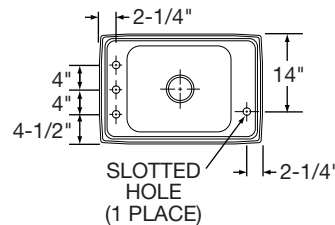


MODEL DRKR25172LM

4 HOLE CONFIGURATION



MODELS DRKR22204
DRKR31194



MODEL DRKR25174



Slotted Hole