

**Lustertone® Single Bowl Sinks –
Double Ledge DRKR Series
DRKAD – A.D.A. Compliant Series Sinks**



SPECIFICATIONS

GENERAL

Lustertone sinks with rear faucet ledge and right or left bubbler ledge. Highest quality sink bowl seamlessly drawn of 18 gauge, type 304 (18-8) nickel bearing stainless steel. Self-rimming.

DESIGN FEATURES

DRKR Bowl Depth: 7-1/2".
 DRKAD Bowl Depths: 5-1/2", 6" or 6-1/2".
 Coved Corners: 1-3/4" radius.
 Bowl Recess: 5/32" below outside edge of sink.
 Finish: Exposed surfaces are hand blended to a lustrous highlighted satin finish.
 Underside: Fully undercoated to prevent condensation and dampen sound.

DRAIN OPENING

DRKR Series and DRKAD2220 drain opening is 3-1/2" and centered in bowl as illustrated.
 DRKAD2522 drain opening is 3-1/2" and located centered left-to-right and off-center front-to-back as illustrated.
 Suffix "L" (left) and "R" (right) denotes location of side ledge.
 Note: Unless other specified, sink is furnished with faucet holes as shown.

OTHER

Bubbler hole slotted to accept anti-rotation pin for bubbler.

SINK DIMENSIONS (INCHES)*

Model Number	Overall		Inside Each Bowl			Cutout in Countertop (1 1/2" Radius Corners)		Ship. Wt. Lbs.	3 1/2" Drain Opening (see above for details)
	L	W	L	W	D	L	W		
DRKR Series									
DRKR2220L	22	19 1/2	16	13 1/2	7 1/2	21 3/8	18 7/8	14	Centered
DRKR2220R	22	19 1/2	16	13 1/2	7 1/2	21 3/8	18 7/8	14	Centered
DRKR2522L	25	22	19	16	7 1/2	24 3/8	21 3/8	16	Centered
DRKR2522R	25	22	19	16	7 1/2	24 3/8	21 3/8	16	Centered
DRKAD Series									
DRKAD2220L	22	19 1/2	16	13 1/2	**	21 3/8	18 7/8	14	Centered
DRKAD2220R	22	19 1/2	16	13 1/2	**	21 3/8	18 7/8	14	Centered
DRKAD2522L	25	22	19	16	**	24 3/8	21 3/8	16	Off-Center
DRKAD2522R	25	22	19	16	**	24 3/8	21 3/8	16	Off-Center

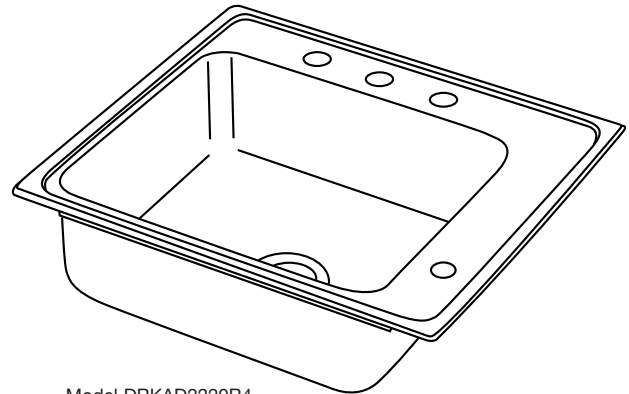
*Length is left to right. Width is front to back.

**Available in 5-1/2", 6" and 6-1/2" depths. Please consult your sales representative for other depths or modifications.

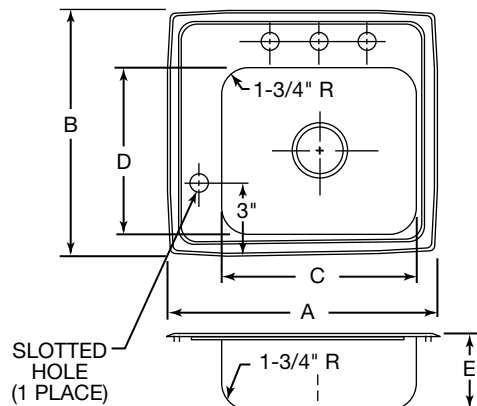
THIS PRODUCT, AS CONSTRUCTED IS SUBJECT TO INTERPRETATION OF A.D.A. REQUIREMENTS. THE UNOBSTRUCTED KNEE SPACE REQUIRED TO SATISFY A.D.A. STANDARDS MAY NOT BE DESIRABLE.

ALL DIMENSIONS IN INCHES, TO CONVERT TO MILLIMETERS MULTIPLY BY 25.4.

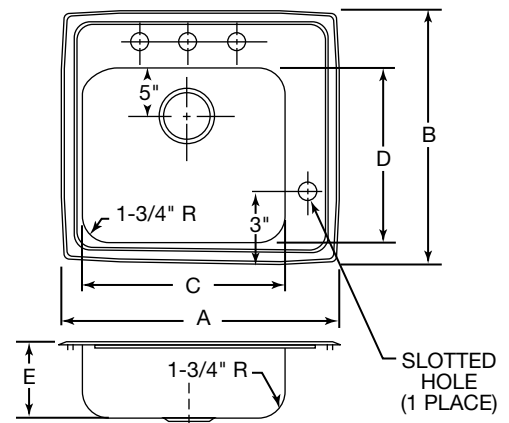
In keeping with our policy of continuing product improvement, Elkay reserves the right to change product specifications without notice.



Model DRKAD2220R4



Left Model Illustrated



Right Model Illustrated



Slotted Hole

This specification describes an Elkay product with design, quality and functional benefits to the user. When making a comparison of other producers' offerings, be certain these features are not overlooked.