

# ELKAY® SPECIFICATIONS

## Celebrity® Single Bowl Sink Model GEGR2521 Series - A.D.A. Compliant

### GENERAL

Designed and recommended for use with GE undersink dishwasher. Good quality Celebrity sink bowl seamlessly drawn of #20 gauge, type 304 (18-8) nickel bearing stainless steel. Self-rimming.

### DESIGN FEATURES

Bowl Depth: 5-3/8".

Coved Corners: 3" vertical radius, 2-1/4" horizontal radius.

Bowl and Faucet Deck Recess: 3/16" below outside edge of sink.

Finish: Exposed surfaces are machine polished to a bright Celebrity finish.

Underside: Fully undercoated to dampen sound and prevent condensation.

### OTHER

Drain Opening: 3-1/2" as illustrated.

Suffix "L" (left) or "R" (right) denotes drain opening located in left or right rear corner of bowl.

NOTE: Unless otherwise specified, sink is furnished with 3 faucet holes as shown.

These sinks comply with ANSI Standard A112.19.3M.

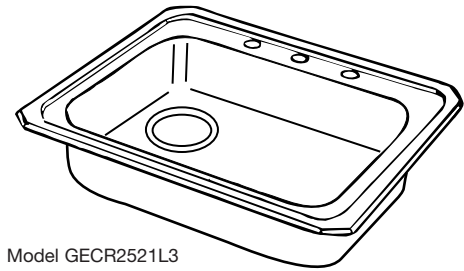
### OPTIONAL ACCESSORIES

Rinsing Baskets: LKRB1520 and LKERBSS.

### SINK DIMENSIONS (INCHES)\*

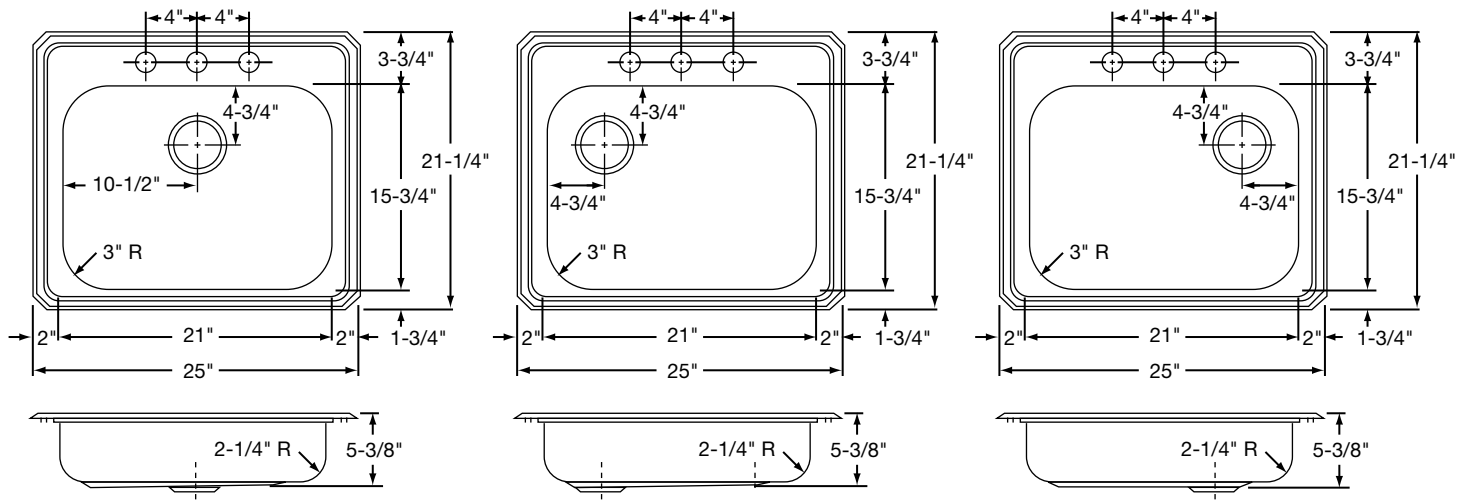
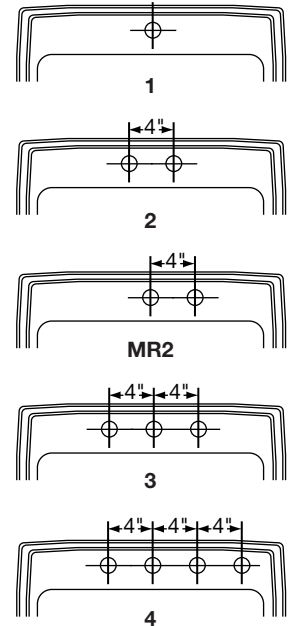
Model Number	Overall		Inside Bowl			Cutout in Countertop (1 1/2" Radius Corners)		No. of 1 1/2" Dia. Faucet Holes 4" Centers	3 1/2" Drain Opening	Minimum Cabinet Size	Ship. Wt. Lbs.
	L	W	L	W	D	L	W				
GEGR2521	25	21 1/4	21	15 3/4	5 3/8	24 3/8	20 5/8	1, 2, MR2, 3 or 4	Off-Center	30	10 3/4
GEGR2521L	25	21 1/4	21	15 3/4	5 3/8	24 3/8	20 5/8	1, 2, MR2, 3 or 4	Left	30	10 3/4
GEGR2521R	25	21 1/4	21	15 3/4	5 3/8	24 3/8	20 5/8	1, 2, MR2, 3 or 4	Right	30	10 3/4

\*Length is left to right. Width is front to back.



Model GEGR2521L3

### HOLE DRILLING CONFIGURATIONS



Model GEGR25213 Illustrated

Model GEGR2521L3 Illustrated

Model GEGR2521R3 Illustrated

THIS PRODUCT, AS CONSTRUCTED IS SUBJECT TO INTERPRETATION OF A.D.A. REQUIREMENTS. THE UNOBSTRUCTED KNEE SPACE REQUIRED TO SATISFY A.D.A. STANDARDS MAY NOT BE DESIRABLE.

ALL DIMENSIONS IN INCHES, TO CONVERT TO MILLIMETERS MULTIPLY BY 25.4.

In keeping with our policy of continuing product improvement, Elkay reserves the right to change product specifications without notice.

This specification describes an Elkay product with design, quality and functional benefits to the user. When making a comparison of other producers' offerings, be certain these features are not overlooked.