

ELKAY® SPECIFICATIONS

Sink Accessories Model LK335 Drain

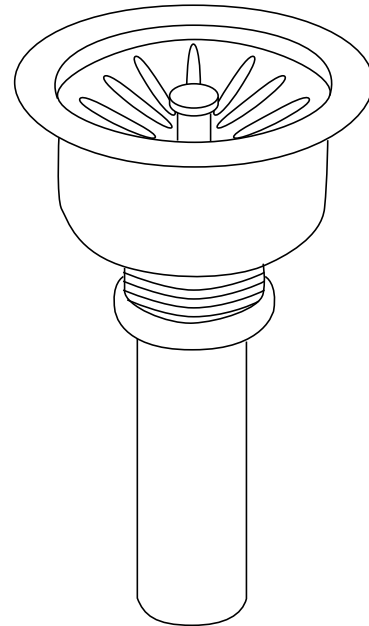
GENERAL

Made of type 316 stainless steel, with chrome plated brass knob.

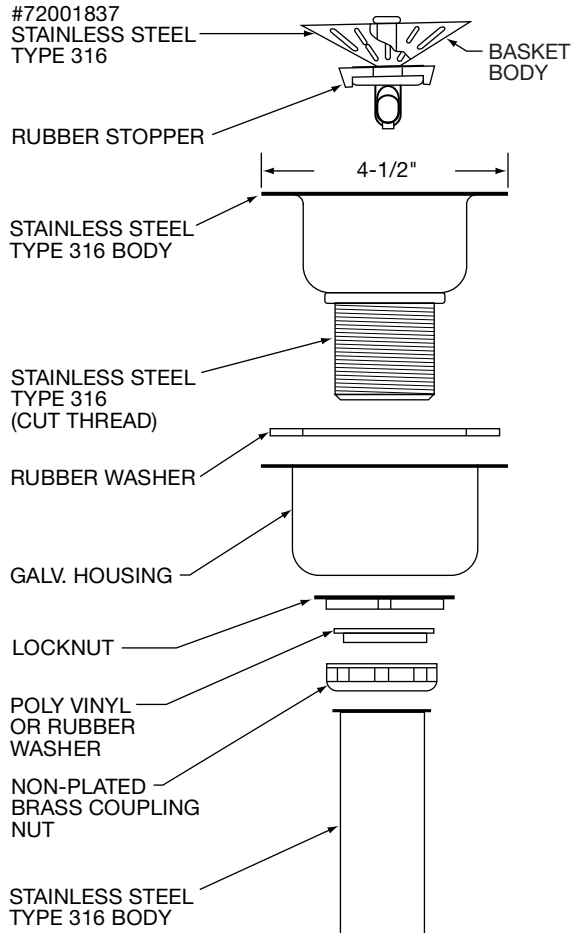
DESIGN FEATURES

Fits 3-1/2" opening, with overall diameter of approx. 4-1/2". Basket has snap fit stem – no orientation for opening and closing needed. Stainless steel 1-1/2" overall diameter tailpiece included. Ship Wt. 2 lbs.

Sold as an accessory item only.



Model LK335



ALL DIMENSIONS IN INCHES, TO CONVERT TO MILLIMETERS MULTIPLY BY 25.4.

In keeping with our policy of continuing product improvement, Elkay reserves the right to change product specifications without notice.

This specification describes an Elkay product with design, quality and functional benefits to the user. When making a comparison of other producers' offerings, be certain these features are not overlooked.