

Sink Accessories
LK-35, LK-35B and LK-35L Drains



SPECIFICATIONS

GENERAL

Baskets and bodies made of 300 series stainless steel. Basket has flex stem.

DESIGN FEATURES

All fit 3-1/2" openings, with overall top diameter of approx. 4-1/2". Baskets have snap fit stems—no orientation for opening and closing needed. Baskets have high polish finish.

LK-35 —Chrome plated brass tailpiece.

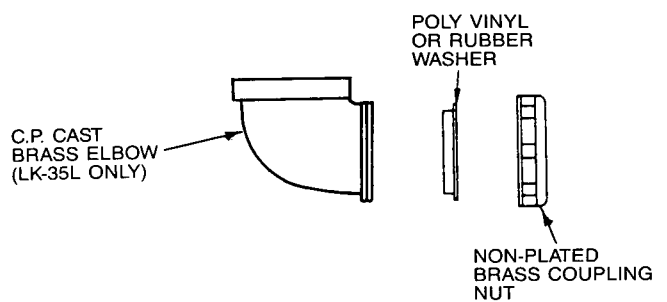
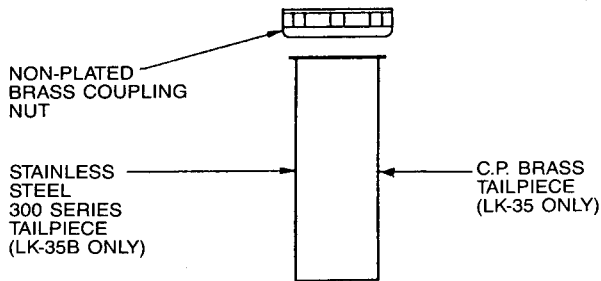
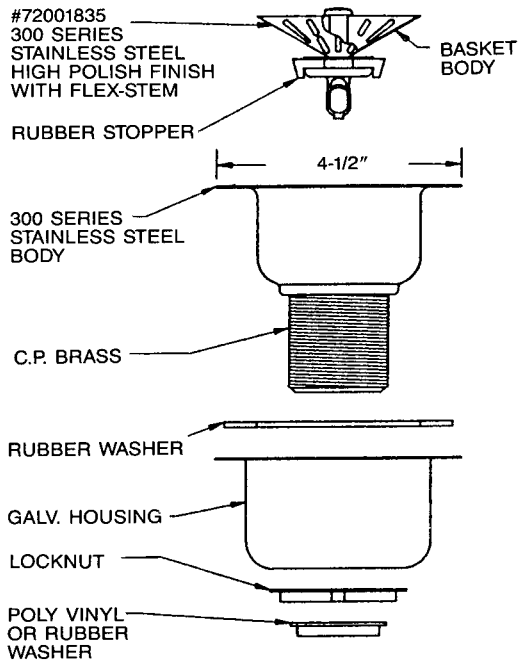
LK-35B—300 Series stainless steel tailpiece.

LK-35L—90 degree—C.P. cast brass elbow.

LK-35 and LK-35L are sold both as an accessory item, as well as with selected sink packages. LK-35B is available as an accessory item only.



LK-35L



ALL DIMENSIONS IN INCHES. TO CONVERT TO MILLIMETERS, MULTIPLY BY 25.4

In keeping with our policy of continuing product improvement, Elkay reserves the right to change product specifications without notice.

This specification describes an Elkay product with design, quality and functional benefits to the user. When making a comparison of other producers' offerings, be certain these features are not overlooked.