

# ELKAY<sup>®</sup>

## SPECIFICATIONS

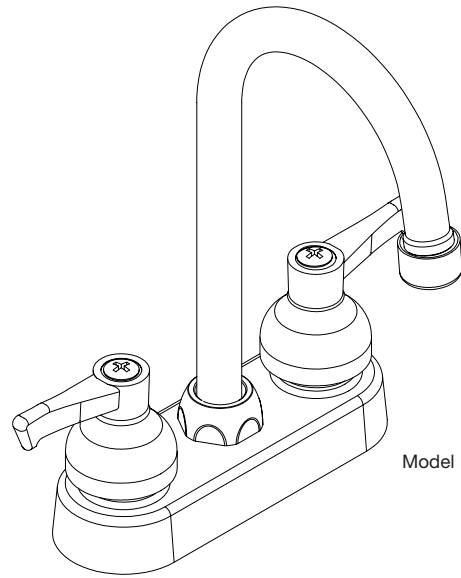
### Commercial Faucet Model LK405C Lavatory

#### GENERAL FEATURES

- Deck mounted lavatory faucet
- Spout reach is 5-1/8"
- Overall spout height is 10-1/4"
- Spout height is 6-9/16" from deck to aerator
- Quarter turn ceramic valve
- Bat blade handles
- Brass construction
- Chrome finish
- Replacement valve A55471

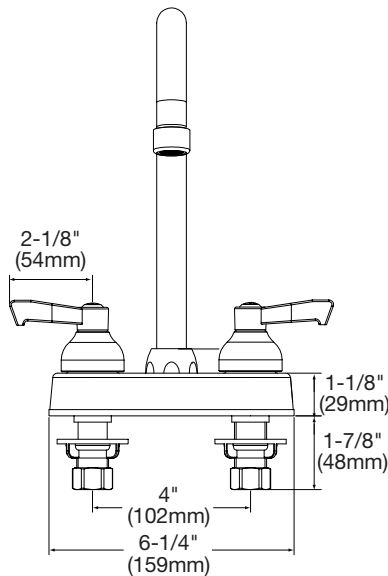
#### CODES/STANDARDS

- ASME/ANSI A112.18.1
- NSF/ANSI 61
- IAPMO/UPC
- ADA compliant

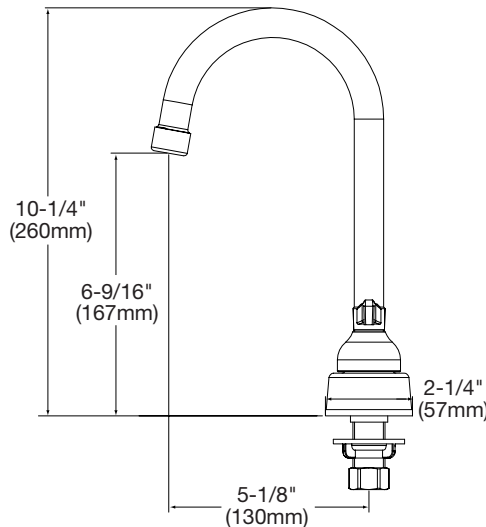


Model LK405C

#### FRONT VIEW



#### SIDE VIEW



Job Name : \_\_\_\_\_ Architect/Engineer Approval: \_\_\_\_\_

Notes : \_\_\_\_\_

#### ELKAY FAUCET LIMITED WARRANTY

Elkay warrants its faucets to be free of defects in workmanship and material for a period of one year from the date of purchase. Replacement parts are available from Elkay for a nominal charge. Upon return of a defective part to Elkay during the warranty period with written notice of the claimed defect, Elkay will refund the replacement charge.

#### WASTE FITTINGS AND ACCESSORIES ARE NOT WARRANTED; OTHER WARRANTY CONDITIONS:

Our warranty does not cover product failure caused by abusive treatment, misuse, or damage due to handling or faulty installations. This warranty is extended only to the original consumer purchaser of the product. This warranty does not cover shipping costs, labor costs, or any other charges for such items as installation or replacement of the sink, diagnosis or replacement of any faucet or component part, or any other expense or loss.

ALL INCIDENTAL OR CONSEQUENTIAL DAMAGES ARE SPECIFICALLY EXCLUDED. NO ADDITIONAL WARRANTIES, EXPRESS OR IMPLIED, ARE GIVEN. ANY IMPLIED WARRANTY, INCLUDING ONE OF MERCHANTABILITY OR FITNESS FOR A PARTICULAR PURPOSE, IS LIMITED TO THE DURATION OF THIS WRITTEN WARRANTY.

Some states do not allow the exclusion or limitation of incidental or consequential damages or limitations on how long an implied warranty lasts, so the above limitations or exclusions may not apply to you.

This warranty gives you specific legal rights, and you may also have other rights which vary from state to state.

#### TO OBTAIN SERVICE UNDER WARRANTY

1. Write to: Elkay  
Attention: Consumer Service  
2222 Camden Court  
Oak Brook, Illinois 60523
2. Include a letter containing the following information:
  - a. Date of purchase and installation
  - b. Description of nature of defect
  - c. Model number or description of model and/or component part if possible.