

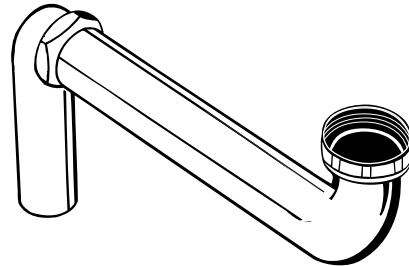
SPECIFICATIONS

DESIGN FEATURES

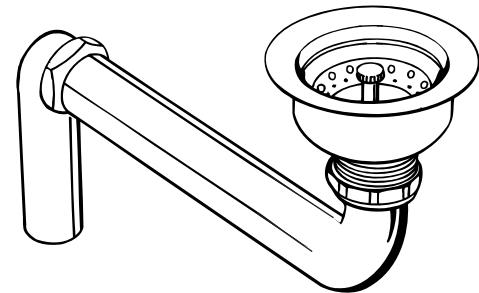
LKAD-OS. Offset tailpiece. Fits most 1-1/2" direct connect sink strainers, including LK-35 and LK-99. Tailpiece allows for up to 11" offset for wheelchair use.

LKAD-35. Basket and body made of 300 series stainless steel. Basket has flex-stem. Comes with off-set tailpiece. **LKAD-OS.** Fits 3-1/2" opening with overall top diameter of approximately 4-1/2".

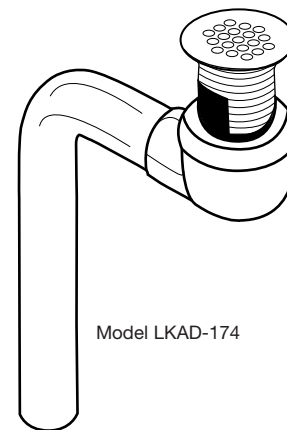
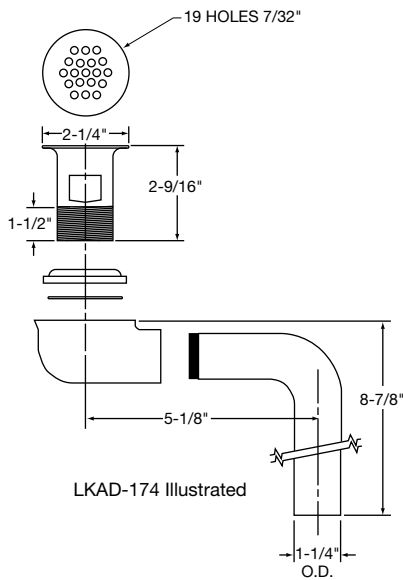
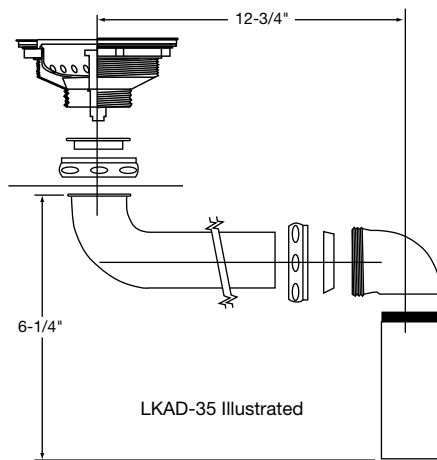
LKAD-174. Lavatory drain outlet fitting with perforated grid. No pop-up rod. Arranged for overflow. 1-1/2" hole size and 1-1/4" overall diameter. Comes with cast brass elbow and 1-1/4" 17 gauge tubular brass offset tailpiece.



Model LKAD-OS



Model LKAD-35



Model LKAD-174

ALL DIMENSIONS IN INCHES, TO CONVERT TO MILLIMETERS MULTIPLY BY 25.4.

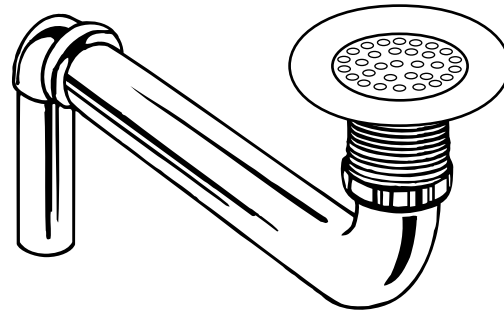
In keeping with our policy of continuing product improvement, Elkay reserves the right to change product specifications without notice.

This specification describes an Elkay product with design, quality and functional benefits to the user. When making a comparison of other producers' offerings, be certain these features are not overlooked.

SPECIFICATIONS

DESIGN FEATURES

LKAD-18. 3" perforated grid strainer. Comes with off-set tail-piece **LKAD-OS.** Fits 3-1/2" opening with overall top diameter of approximately 4-1/2".



Model LKAD-18

