

SPECIFICATIONS

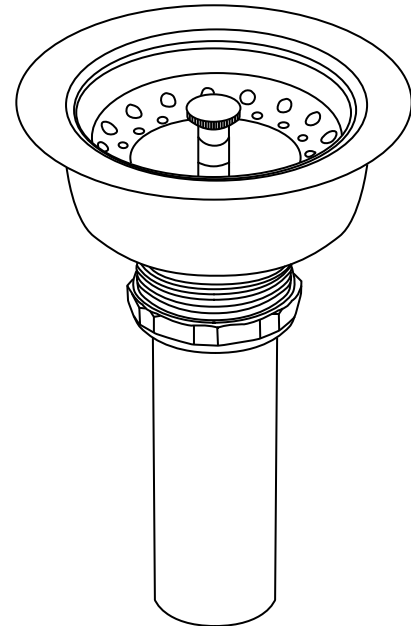
GENERAL

Basket and body made of 300 series stainless steel. Basket has flex stem. Chrome plated brass tailpiece.

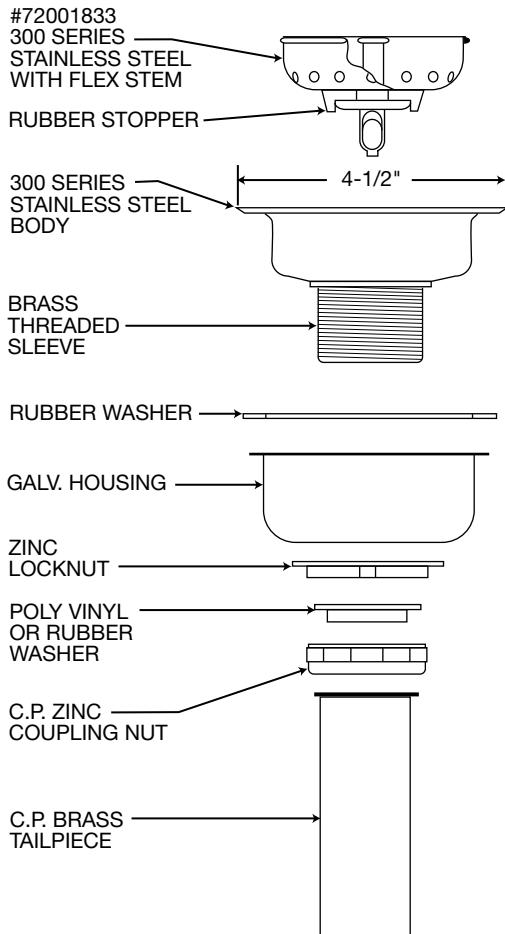
DESIGN FEATURES

Fits 3-1/2" opening, with overall top diameter of approx. 4-1/2". Snap fit strainer basket stem – no orientation for opening and closing needed.

This drain is sold both as an accessory item, as well as with selected sink packages.



Model LKJ35



ALL DIMENSIONS IN INCHES, TO CONVERT TO MILLIMETERS MULTIPLY BY 25.4.

In keeping with our policy of continuing product improvement, Elkay reserves the right to change product specifications without notice.

This specification describes an Elkay product with design, quality and functional benefits to the user. When making a comparison of other producers' offerings, be certain these features are not overlooked.