

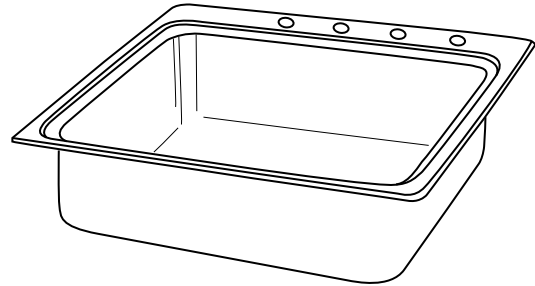
SPECIFICATIONS

GENERAL

Lustertone sink with spacious sink bowl. Highest quality sink seamlessly drawn of #18 gauge, type 304 (18-8) nickel bearing stainless steel. Self-rimming.

DESIGN FEATURES

- LR2522 Bowl Depth: 8".
- LRAD2522 Bowl Depth: 5-1/2", 6" or 6-1/2".
- Coved Corners: 1-3/4" radius.
- Bowl and Faucet Deck Recess: 7/16" drop ledge with a raised faucet deck.
- Finish: Exposed surfaces are hand blended to a lustrous highlighted satin finish.
- Underside: LR2522 has Sound Guard® undercoating to dampen sound the prevent condensation. LRAD2522 is fully undercoated to dampen sound and prevent condensation.



Model LR25224

OTHER

LR2522 Drain Opening: 3-1/2" and centered in bowl as illustrated.

LRAD2522 Drain Opening: 3-1/2" and located centered left-to-right and off-center front-to-back as illustrated.

Faucet Holes: Available with 0, 1, 2, 3, 4 or 5, 1-1/2" diameter faucet holes, 4" center to center.

NOTE: Four holes furnished unless otherwise specified.

These sinks comply with ANSI Standard A112.19.3M.



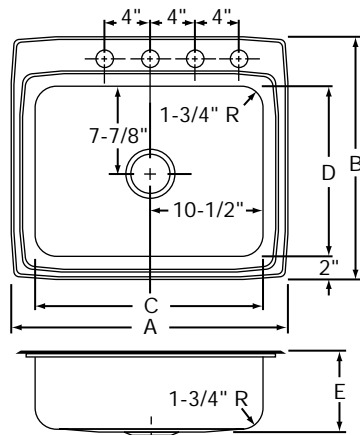
These sinks are listed by the International Association of Plumbing and Mechanical Officials as meeting the requirements of the Uniform Plumbing Code.

SINK DIMENSIONS (INCHES)*

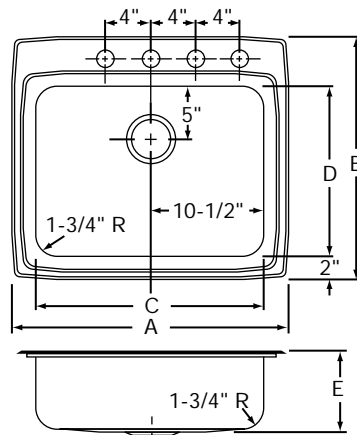
Model Number	Overall		Inside Each Bowl			Cutout in Countertop (1 1/2" Radius Corners)		No. of 1 1/2" Dia. Faucet Holes 4" Center	Ship. Wt. Lbs.	3 1/2" Drain Opening (see above for details)
	L	W	L	W	D	L	W			
	A	B	C	D	E					
LR2522	25	22	21	15 3/4	8	24 3/8	21 3/8	0, 1, 2, 3, 4 or 5	15	Centered
LRAD2522	25	22	21	15 3/4	**	24 3/8	21 3/8	0, 1, 2, 3, 4 or 5	15	Off-Center

*Length is left to right. Width is front to back.

**Available in 5-1/2", 6" and 6-1/2" depths. Please consult your sales representative for other depths or modifications.



Model LR25224 Illustrated



Model LRAD25224 Illustrated

THIS PRODUCT, AS CONSTRUCTED IS SUBJECT TO INTERPRETATION OF A.D.A. REQUIREMENTS. THE UNOBSTRUCTED KNEE SPACE REQUIRED TO SATISFY A.D.A. STANDARDS MAY NOT BE DESIRABLE.

ALL DIMENSIONS IN INCHES, TO CONVERT TO MILLIMETERS MULTIPLY BY 25.4.

In keeping with our policy of continuing product improvement, Elkay reserves the right to change product specifications without notice.

This specification describes an Elkay product with design, quality and functional benefits to the user. When making a comparison of other producers' offerings, be certain these features are not overlooked.