

# SPECIFICATIONS

## GENERAL

Lustertone sink with two roomy sink bowls. Highest quality sink seamlessly drawn of #18 gauge, type 304 (18-8) nickel bearing stainless steel. Self-rimming.

## DESIGN FEATURES

LR Bowl Depth: 8".

LRAD Bowl Depth: 5-1/2", 6" or 6-1/2".

Coved Corners: 1-3/4" radius.

Bowl and Faucet Deck Recess: 7/16" drop ledge with a raised faucet deck.

Finish: Exposed surfaces are hand blended to a lustrous highlighted satin finish.

Underside: LR3322 has Sound Guard™ undercoating to dampen sound and prevent condensation. LRAD3322 is fully undercoated to dampen sound and prevent condensation.

## OTHER

LR3322 drain openings are 3-1/2" and centered in bowls as illustrated.

LRAD3322 drain openings are 3-1/2" and located centered left-to-right and off-center front-to-back as illustrated.

NOTE: Four holes furnished unless otherwise specified.

## OPTIONAL ACCESSORIES

Rinsing Baskets: LKRB1611, VB1816 or LKERBSS.

Bottom Grids: LKBG1613.

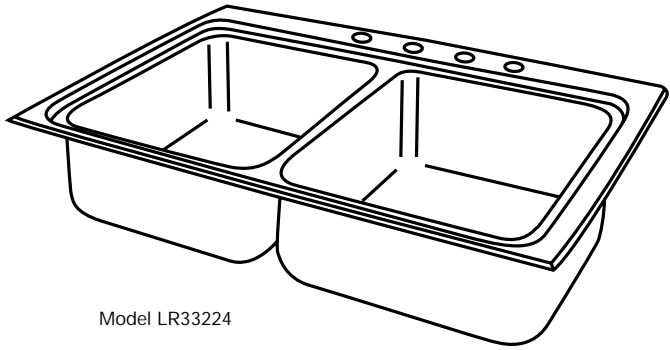
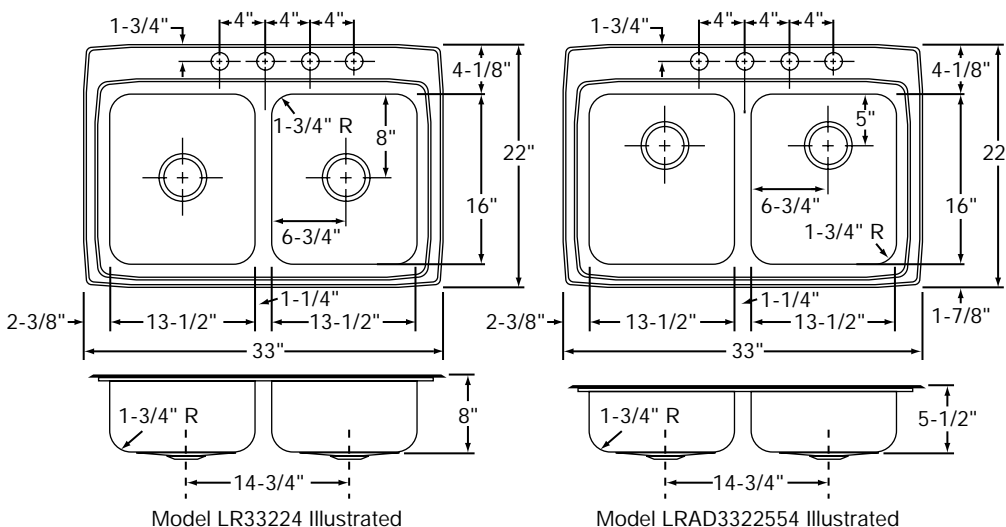
Cutting Boards: CB1613, CB1716, CBT1613, CBT1713, CBR1316 or CBS1316.

## SINK DIMENSIONS (INCHES)\*

Model Number	Overall		Inside Each Bowl			Cutout in Countertop (1 1/2" Radius Corners)		No. of 1 1/2" Dia. Faucet Holes 4" Center	Ship. Wt. Lbs.
	L	W	L	W	D	L	W		
LR3322	33	22	13 1/2	16	8	32 3/8	21 3/8	1, 2, 3, 4, 5 or 6	23
LRAD3322	33	22	13 1/2	16	**	32 3/8	21 3/8	1, 2, 3, 4, 5 or 6	23

\*Length is left to right. Width is front to back.

\*\*Available in 5-1/2", 6" and 6-1/2" depths. Please consult your sales representative for other depths or modifications.



Model LR33224

These sinks comply with ANSI Standard A112.19.3M.



These sinks are listed by the International Association of Plumbing and Mechanical Officials as meeting the requirements of the Uniform Plumbing Code.

THIS PRODUCT, AS CONSTRUCTED IS SUBJECT TO INTERPRETATION OF A.D.A. REQUIREMENTS. THE UNOBSTRUCTED KNEE SPACE REQUIRED TO SATISFY A.D.A. STANDARDS MAY NOT BE DESIRABLE.

ALL DIMENSIONS IN INCHES, TO CONVERT TO MILLIMETERS MULTIPLY BY 25.4.

In keeping with our policy of continuing product improvement, Elkay reserves the right to change product specifications without notice.

This specification describes an Elkay product with design, quality and functional benefits to the user. When making a comparison of other producers' offerings, be certain these features are not overlooked.