

ELKAY® SPECIFICATIONS

Lustertone® Double Bowl Sinks Model LR Series Model LRAD – A.D.A. Compliant Series

GENERAL

Highest quality sink seamlessly drawn of #18 gauge, type 304 (18-8) nickel bearing stainless steel. Self-rimming.

DESIGN FEATURES

LR Bowl Depths: 8" (LR3321) or 7-5/8" (all others).

LRAD Bowl Depths: 5-1/2", 6" or 6-1/2".

Coved Corners: 1-3/4" vertical and horizontal radius.

Bowl and Faucet Deck Recess: 3/16" below outside edge of sink.

Finish: Exposed surfaces are hand blended to a lustrous highlighted satin finish.

Underside: Fully undercoated to dampen sound and prevent condensation. LR3321 is fully protected by heavy duty Sound Guard® undercoating.

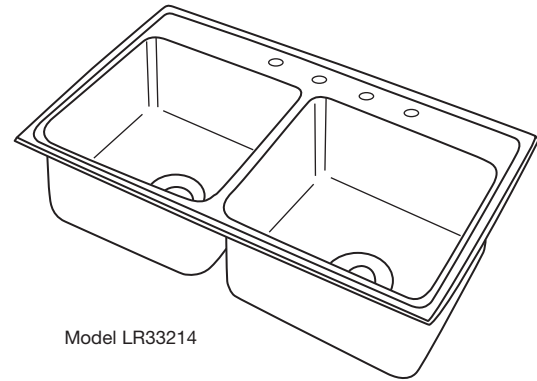
OTHER

LR Series Drain Openings: 3-1/2" and centered in bowls as illustrated.

LRAD2918, LRAD3319 Drain Openings: 3-1/2" and centered in the bowls.

LRAD2922, LRAD3321 and LRAD3722 Drain Openings: 3-1/2" and located centered left-to-right and off-center front-to-back in each bowl as illustrated.

NOTE: Unless otherwise specified, sink is furnished with 4 faucet holes as shown.



Model LR33214

SINK DIMENSIONS (INCHES)*

| Model Number | Overall | | Inside Each Bowl | | | Cutout in Countertop (1 1/2" Radius Corners) | | No. of 1 1/2" Dia. Faucet Holes 4" Center | 3 1/2" Drain Openings (see above for details) | Minimum Cabinet Size | Ship. Wt. Lbs. |
|--------------------|---------|--------|------------------|----|-------|--|--------|---|---|----------------------|----------------|
| | L | W | L | W | D | L | W | | | | |
| | A | B | C | D | E | L | W | | | | |
| LR Series | | | | | | | | | | | |
| LR2519 | 25 | 19 1/2 | 10 | 14 | 7 5/8 | 24 3/8 | 18 7/8 | 1,2,MR2,3,4, or 5 | Centered | 30 | 15 |
| LR2918 | 29 | 18 | 12 | 12 | 7 5/8 | 28 3/8 | 17 3/8 | 1,2,MR2,3,4, or 5 | Centered | 33 | 16 |
| LR2922 | 29 | 22 | 11 1/2 | 16 | 7 5/8 | 28 3/8 | 21 3/8 | 1,2,MR2,3,4, or 5 | Centered | 33 | 17 |
| LR3319 | 33 | 19 1/2 | 14 | 14 | 7 5/8 | 32 3/8 | 18 7/8 | 1,2,MR2,3,4, or 5 | Centered | 36 | 20 |
| LR3321 | 33 | 21 1/4 | 13 1/2 | 16 | 8 | 32 3/8 | 20 5/8 | 1,2,MR2,3,4, or 5 | Centered | 36 | 21 |
| LR3722 | 37 | 22 | 16 | 16 | 7 5/8 | 36 3/8 | 21 3/8 | 1,2,MR2,3,4, or 5 | Centered | 42 | 24 |
| LR4322 | 43 | 22 | 19 | 16 | 7 5/8 | 42 3/8 | 21 3/8 | 1,2,MR2,3,4, or 5 | Centered | 48 | 25 |
| LRAD Series | | | | | | | | | | | |
| LRAD2918 | 29 | 18 | 12 | 12 | ** | 28 3/8 | 17 3/8 | 1,2,MR2,3,4, or 5 | Centered | 33 | 16 |
| LRAD2922 | 29 | 22 | 11 1/2 | 16 | ** | 28 3/8 | 21 3/8 | 1,2,MR2,3,4, or 5 | Off-Centered | 33 | 17 |
| LRAD3319 | 33 | 19 1/2 | 14 | 14 | ** | 32 3/8 | 18 7/8 | 1,2,MR2,3,4, or 5 | Centered | 36 | 20 |
| LRAD3321 | 33 | 21 1/4 | 13 1/2 | 16 | ** | 32 3/8 | 20 5/8 | 1,2,MR2,3,4, or 5 | Off-Centered | 36 | 21 |
| LRAD3722 | 37 | 22 | 16 | 16 | ** | 36 3/8 | 21 3/8 | 1,2,MR2,3,4, or 5 | Off-Centered | 42 | 24 |

*Length is left to right. Width is front to back.

**Available in 5-1/2", 6" and 6-1/2" depths. Please consult your sales representative for other depths or modifications.

SEE OTHER SIDE FOR PRODUCT DIMENSIONS.

THIS PRODUCT, AS CONSTRUCTED IS SUBJECT TO INTERPRETATION OF A.D.A. REQUIREMENTS. THE UNOBSTRUCTED KNEE SPACE REQUIRED TO SATISFY A.D.A. STANDARDS MAY NOT BE DESIRABLE.

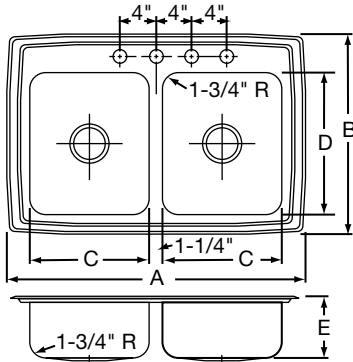
ALL DIMENSIONS IN INCHES, TO CONVERT TO MILLIMETERS MULTIPLY BY 25.4.

In keeping with our policy of continuing product improvement, Elkay reserves the right to change product specifications without notice.

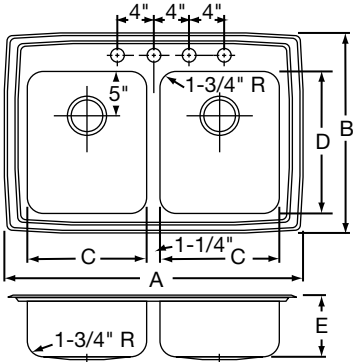
This specification describes an Elkay product with design, quality and functional benefits to the user. When making a comparison of other producers' offerings, be certain these features are not overlooked.

Lustertone® Double Bowl Sinks
Model LR Series
Model LRAD – A.D.A. Compliant Series

ELKAY®
SPECIFICATIONS



Model LR Series Illustrated



Model LRAD Series Off-Center Drain
 Model Only Illustrated

HOLE DRILLING CONFIGURATIONS

